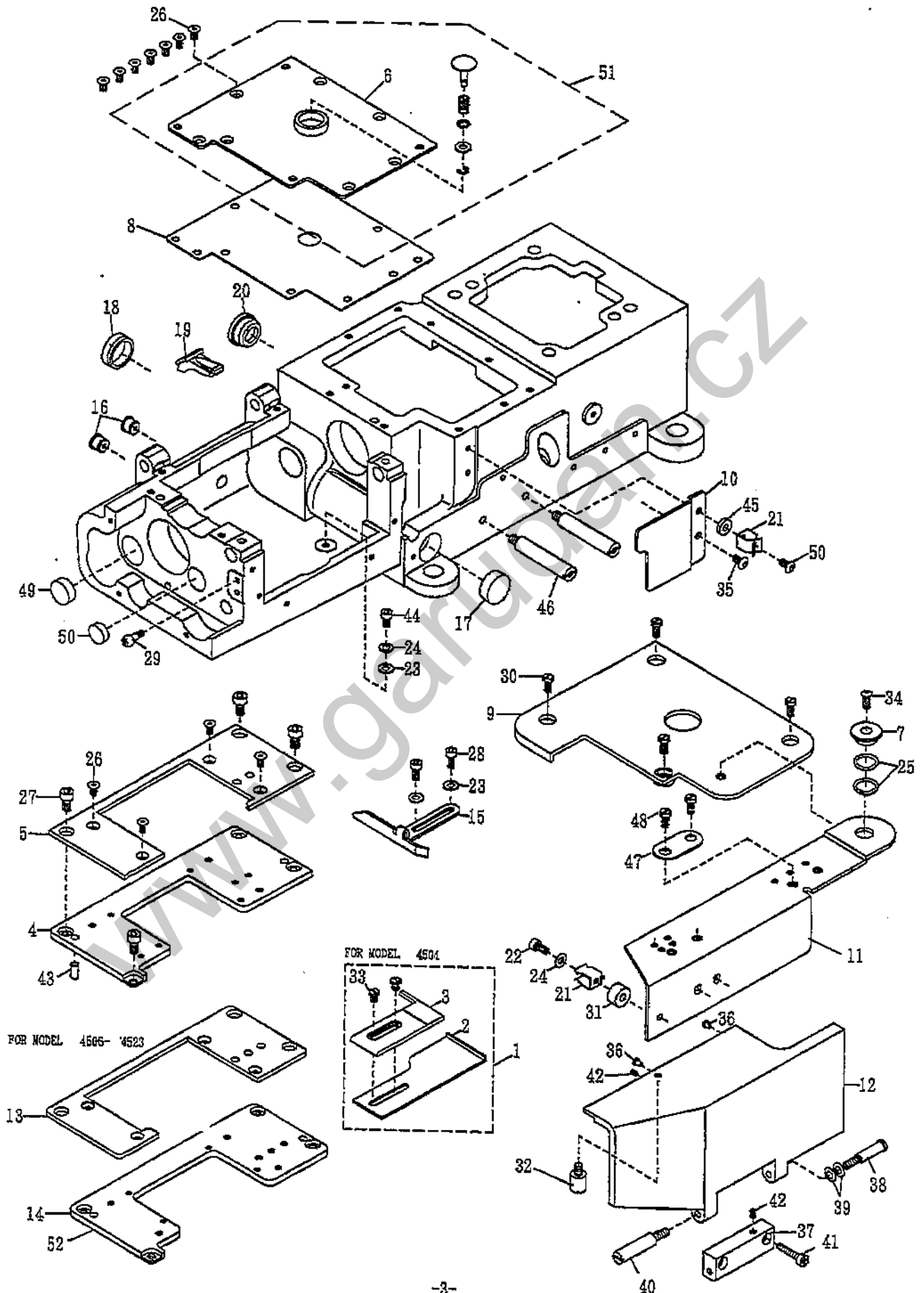


1.本體外裝零件 Frame Components (一)

序號 Ref.No.	物料編號 Parts No.	名稱 Description	單位用量 Amt. Req.
*1	2310000101	針棒護蓋 Needle Cover	1
2	2310000102	下座腳槽 Supporting Bar	3
3	2310000103	下座腳槽 Supporting Bar	1
4	2310000104	上軸蓋 Top Cover	1
5	2310000105	針棒蓋 Needle Cover	1
6	2310000106	銘板 Plate	1
7	2310000107	油盤 Oil Reservoir	1
8	2310000108	銷 Pin	2
9	2310000109	墊圈 Washer	4
10	2310000110	油封 Gasket	1
11	2310000111	油封 Gasket	1
12	2310000112	油封 Gasket	1
13	2310000113	油鏡 Oil Window	1
14	2310000114	下座外蓋 Cloth Plate	1
15	2310000115	定位塊 Bracket	1
16	2310000116	孔塞 Plug	3
17	2200000105	孔塞 Plug (CT0105)	1
18	66477-1	機器號碼牌 Machine No. Plate	1
19	66477-2	銘板 Plate	1
20	90SW080	彈簧墊圈 Spring Washer	4
21	66620	鉚釘 Rivet	4
22	8MM08503013A	螺絲 Screw (M8-1.25*30) (MT0122)	4
23	8MC04281207D	螺絲 Screw (CT0102 M4-0.7*12)	10
24	8MM04280807A	螺絲 Screw (M4-0.7*8) (MT0124)	2
25	8MB04280807K	螺絲 Screw (CT0215 M4-0.7*8)	5
26	8MM08502013A	螺絲 Screw (CT0106 M8-1.25*20)	4
27	8SM95281017A	螺絲 Screw (SH0243 3/8"-28*10)	1
28	2100000244	墊圈 Washer (SH0244)	1
29	2200000128	磁鐵 Magnet (CT0128)	1
30	2200000129	壓板 Holder (CT0109)	1
31	8MC04280807D	螺絲 Screw (CT0130 M4-0.7*8)	1
32	2100001507	油面鏡 Oil Sign Gauge (R6031507)	1
33	2310000133	車頭 Frame Unit	1
34	2310000134	護目鏡支架 Bracket	1
35	2310000135	固定座 Bracket	1
36	2310000136	護目鏡 Safety Plate (MT4504)	1
*37	2310000137	護目鏡 Safety Plate (MT4506-4523)	1
38	2310000138	螺絲 (Stud)	1
39	2310000139	波形墊圈 Washer	1
40	8MM04281007A	螺絲 Screw (FT0203 M4-0.7*10)	2
41	90PW030	墊圈 Washer (CT030211)	2
42	8MP03200606A	螺絲 Screw (MT0142 M3-0.5*6)	2
43	66451	貼紙 Paster	1
44	2310000144	針棒護蓋 Needle Cover	1
45	231A0000145	護目鏡支架組 Bracket Asm (4504)	1
*46	231A0000146	護目鏡支架組 Bracket Asm (4506-4523)	1
*47	66477-3	銘板 Plate	1

* For 4506- 4523 Use.

2. FRAME ASSEMBLY (2)



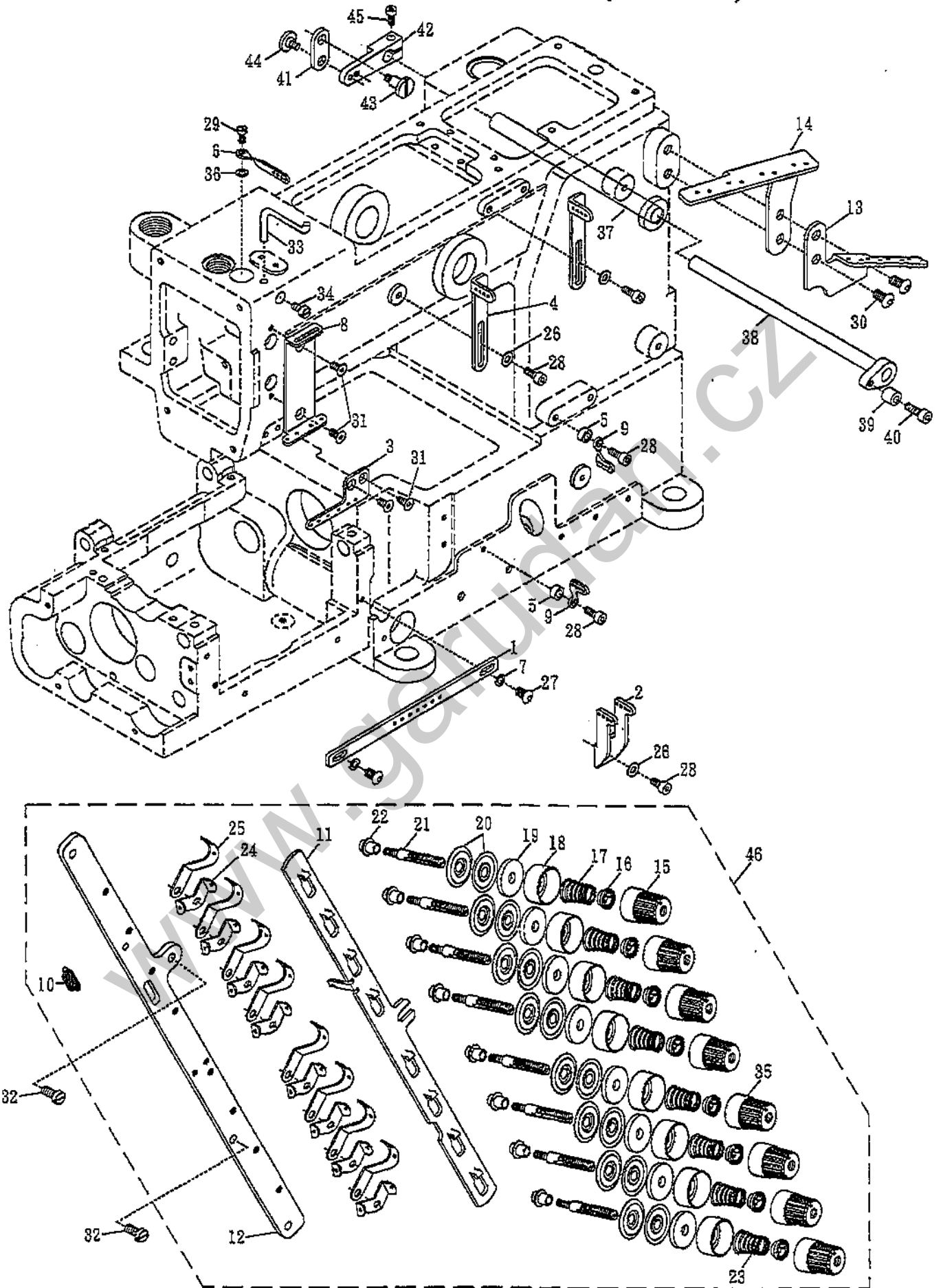
2.本體外裝零件 Frame Components (二)

序號 Ref.No.	物料編號 Parts No.	名稱 Description	單位用量 Amt. Req.
1	231A0000201	導模組 Edge Guide Asm. (4504)	1
2	2310000202	導模 Edge Guide	1
3	2310000203	導模 Edge Guide	1
4	2310000204	針板座 Needle Plae Seat	1
5	2310000205	封蓋 Cover	1
6	2310000206	下軸內蓋 Lower Shaft Cover	1
7	2310000207	隔環 Spacer	1
8	2310000208	防漏墊片 Gasket	1
9	2310000209	下座外蓋 Cloth Plate	1
10	2310000210	檔片 Defender	1
11	2310000211	下座前蓋 Cloth Plate	1
12	2310000212	前蓋 Front Cover	1
*13	2310000213	封蓋 Cover	1
*14	2310000214	針板座 Needle Plate Seat	1
15	2310000215	導模 Edge Guide	1
16	2200000109	孔塞 Plug (CT0109)	2
17	2310000217	孔塞 Plug	2
18	2200000245	孔塞 Plug (CT0245)	1
19	2310000219	孔塞 Plug	1
20	2310000116	孔塞 Plug	1
21	2200000121	夾簧 Latch Spring (CT0121)	2
22	8MM04281207A	螺絲 Screw (M4-0.7*12) (CT0202)	1
23	2200000232	墊圈 Washer (CT0232)	3
24	90SW040	彈簧墊圈 Spring Washer (UTB0317)	2
25	2310000225	波形墊圈 Corrugated Washer	2
26	8MQ04280808A	螺絲 Screw (UTB0109 M4-0.7*8)	11
27	8MM05321009A	螺絲 Screw (CT0626 M5-0.8*10)	4
28	8MM04281007A	螺絲 Screw (FT0203 M4-0.7*10)	2
29	8MD04281008C	螺絲 Screw (M4-0.7*5) (MT0229)	1
30	8MB04281007K	螺絲 Screw (CT1237 M4-0.7*10)	4
31	2310000231	隔環 Spacer	1
32	2310000232	銷 Pin	1
33	8MB04280607K	螺絲 Screw (M4-0.7*6) (MT0233)	2
34	8MP06401011A	螺絲 Screw (M6-1*10) (MT0234)	1
35	8MP04280808A	螺絲 Screw (M4-0.7*8) (MT0235)	1
36	2210000119	減震橡膠 Rubber Cushion (F0119)	2
37	2200000224	紋鏈 Hinge (CT0224)	1
38	8MB04283809E	螺絲 Stud (M4-0.7*38)(CT0227)	1
39	2200000228	盆形墊圈 Washer (CT0228)	2
40	8MB04280705M	螺絲 Screw (M4-0.7*7) (FT0247)	1
41	8MC04281407D	螺絲 Screw (M4-0.7*14) (CT0225)	2
42	8MN04280400A	螺絲 Screw (M4-0.7*4) (CT0229)	3
43	2210000238	定位銷 Pin (FT0238)	2
44	8MM04280807A	螺絲 Screw (M4-0.7*8) (MT0124)	1
45	2310000245	隔環 Spacer	1
46	2310000246	支撐桿 Support ing Rod	1
47	2310000247	墊片 Washer	1
48	8MC06400810A	螺絲 Screw (M4-0.7*4) (MT0248)	2
49	2310000249	孔塞 Plug	1
50	8MP04281008A	螺絲 Screw (M4-0.7*10) (MT0250)	1
51	231A0000251	下軸內蓋組 Lower Shaft Cover Asm	1
**52	2310000252	針板座 Needle Plate Seat	1

* 4506- 4523 用 For 4506- 4523 Use

** 4513P□-064 用 For 4513P□-064 Use

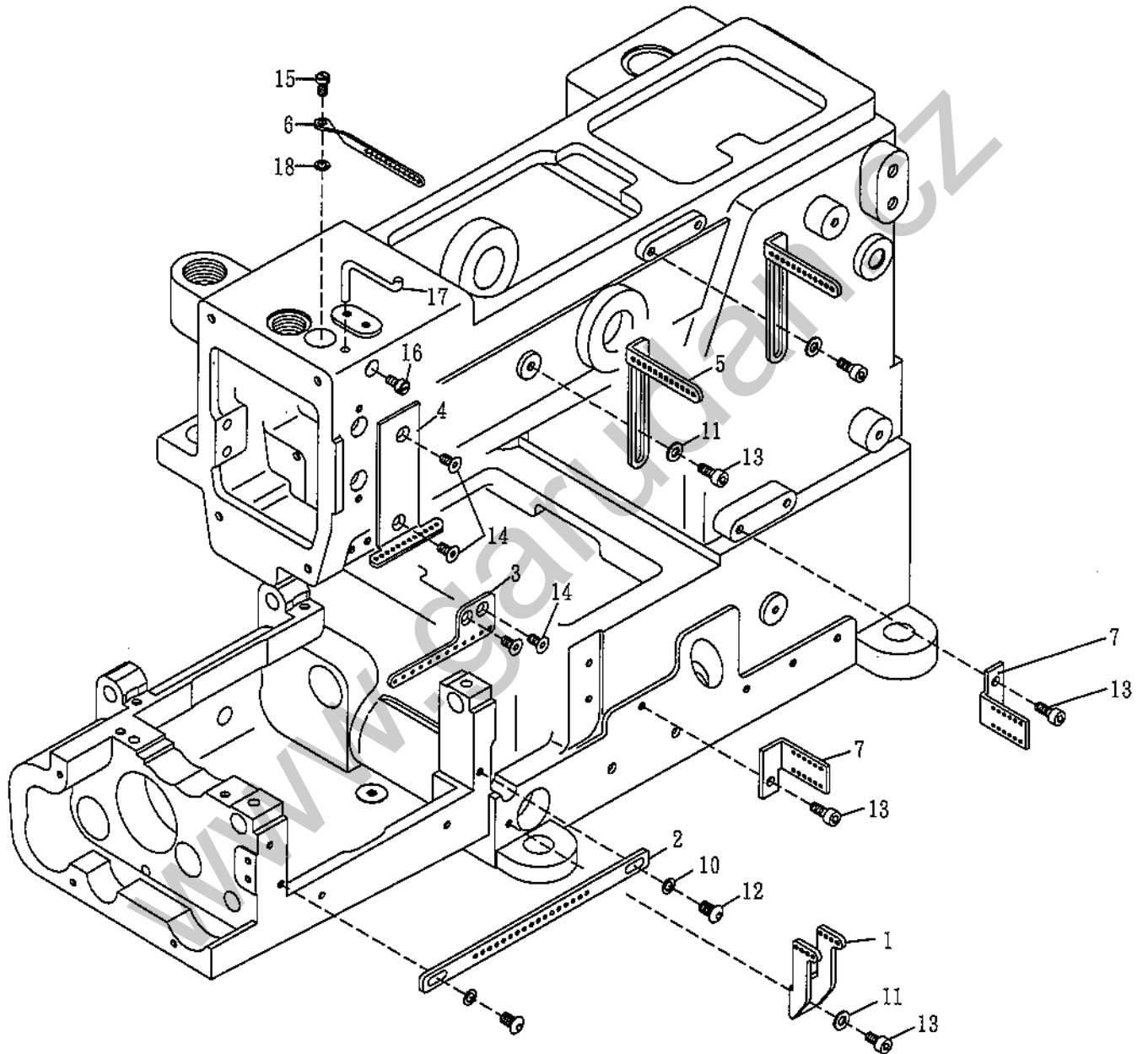
3. THREAD TENSION MECHANISM (4504)



3. 張力調整零件 Thread Tension Mechanism (4504)

序號 Ref.No.	物料編號 Parts No.	名稱 Description	單位用量 Amt. Req.
1	2310000301	導線 Thread Guide -----	1
2	2310000302	導線 Thread Guide -----	1
3	2310000303	導線 Thread Guide -----	1
4	2310000304	導線 Thread Guide -----	2
5	2310000305	定位環 Collar -----	2
6	2310000306	導線 Thread Guide -----	1
7	2100000640	墊圈 Washer (SH0640) -----	2
8	2310000308	導線 Thread Guide -----	1
9	2310000309	導線 Thread Guide -----	2
10	2310000310	彈簧 Spring -----	1
11	2310000311	鬆線板 Release Wedge -----	1
12	2310000312	導線座 Tension Post Support -----	1
13	2310000313	導線 Thread Guide -----	1
14	2310000314	導線 Thread Guide -----	1
15	2100001121	張力調整螺帽 Tension Nut (Red) (SH1121)-----	4
16	2200000303	套管 Bushing (CT0303)-----	8
17	2100001123	彈簧 Spring (Red) (SH1123)-----	4
18	2200000305	彈簧座 Spring Set (CT0305)-----	8
19	2100001127	羊毛氈 Felt (SH1127)-----	8
20	2100001126	張力控制盤 Tension Disc (SH1126)-----	16
21	2200000308	螺樁 Stud (CT03081)-----	8
22	2200000309	隔環 Spacer (CT03091)-----	8
23	2100041131	彈簧 Spring (Yellow) (SH1131)-----	4
24	2200000311	導線 Thread Guide (CT0311)-----	8
25	2200000312	導線 Thread Guide (CT0312)-----	8
26	2200000232	墊圈 Washer (CT0232)-----	3
27	8MP04280808A	螺絲 Screw (M4-0.7*8) (MT0235) -----	2
28	8MM04281007A	螺絲 Screw (FT0203 M4-0.7*10) -----	5
29	8MB85240806K	螺絲 Screw (CT0635 M3.5-0.6*8) -----	1
30	8MP06401211A	螺絲 Screw (UTB0302 M6-1*12) -----	2
31	8MQ04280808A	螺絲 Screw (UTB0109 M4-0.7*8) -----	4
32	8MC05321208A	螺絲 Screw (M5-0.8*11) (MT0332) -----	2
33	2310000333	導線 Thread Guide -----	1
34	8MB04280807K	螺絲 Screw (M4-0.7*8) (CT0215) -----	1
35	2100001121	張力調整螺帽 Tension Nut (Yellow)(SH1121)-----	4
36	2200000704	齒形墊圈 Teeth Washer (CT0704)-----	1
37	2310000337	導管 Pipe -----	1
38	2310000338	軸 Shaft -----	1
39	2310000339	調整隔環 Spacer -----	1
40	8MM04281207A	螺絲 Screw (M4-0.7*12) (CT0202) -----	1
41	2310000341	連桿 Link -----	1
42	2310000342	曲柄 Lever -----	1
43	2310000343	螺樁 Stud -----	1
44	2310000344	螺樁 Stud -----	1
45	8MK95301407A	螺絲 Screw (M4.5-0.75*14) (CT0837) -----	1
46	231A0000346	鬆線組 Thread Tension Mechanism-----	1

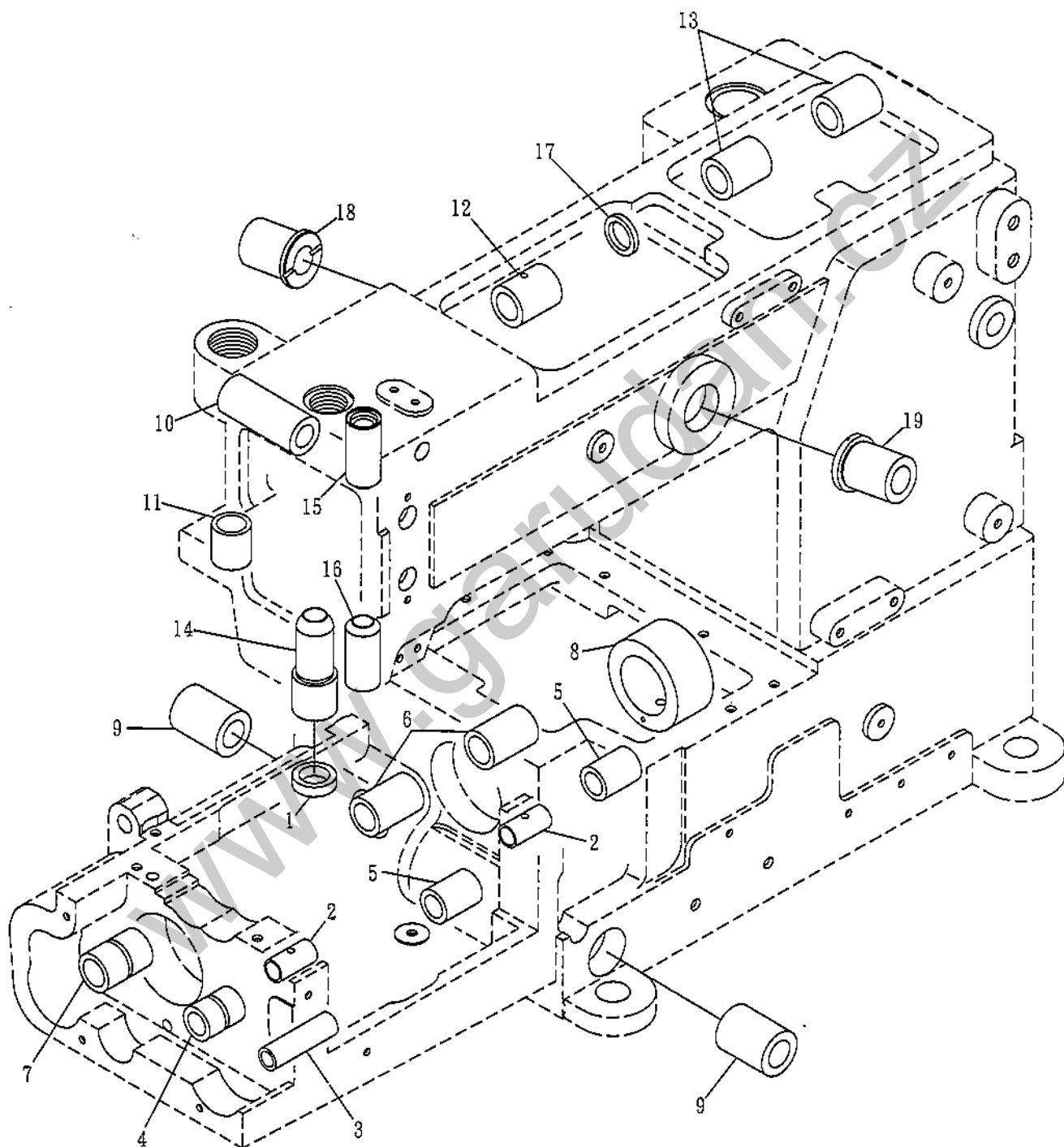
4. THREAD TENSION MECHANISM (4506- .4523)



4. 張力調整零件 Thread Tension Mechanism (4506- 4523)

序號 Ref.No.	物料編號 Parts No.	名稱 Description	單位用量 Amt. Req.
1	2310000302	導線 Thread Guide -----	1
2	2310000402	導線 Thread Guide -----	1
3	2310000403	導線 Thread Guide -----	1
4	2310000404	導線 Thread Guide -----	1
5	2310000405	導線 Thread Guide -----	2
6	2310000406	導線 Thread Guide -----	1
7	2310000407	導線 Thread Guide -----	2
-	-----	-----	-
-	-----	-----	-
10	2100000640	墊圈 Washer (SH0640)-----	2
11	2200000232	墊圈 Washer (CT0232)-----	3
12	8MP04280808A	螺絲 Screw (M4-0.7*8) (MT0235) -----	2
13	8MM04281007A	螺絲 Screw (FT0203 M4-0.7*8) -----	5
14	8MQ04280808A	螺絲 Screw (UTB0109 M4-0.7*8) -----	4
15	8MB85240806K	螺絲 Screw (CT0635 M3.5-0.6*8) -----	1
16	8MB04280807K	螺絲 Screw (CT0215 M4-0.7*8) -----	1
17	2310000417	導線 Thread Guide -----	1
18	2200000704	齒形墊圈 Teeth Washer (CT0704)-----	1

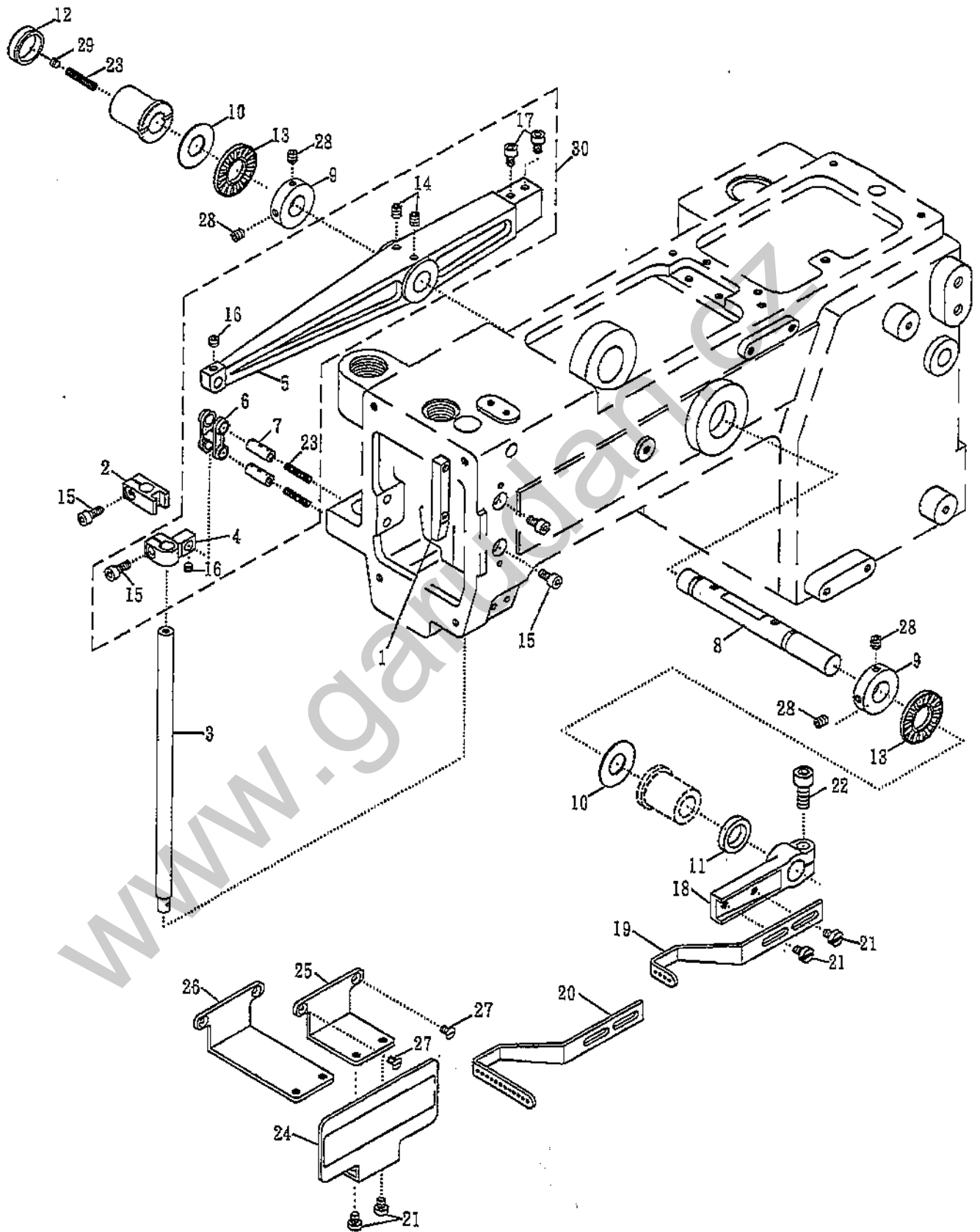
5. BUSHING



5. 軸襯與油封 Bushing And Oil Seal

序號 Ref.No.	物料編號 Parts No.	名稱 Description	單位用量 Amt. Req.
1	2200000404	油封 Oil Seal (CT0404)	1
2	2310000502	軸襯 Bushing	2
3	2310000503	軸襯 Bushing	1
4	2310000504	軸襯 Bushing	1
5	2310000505	軸襯 Bushing	2
6	2310000506	軸襯 Bushing	2
7	2310000507	軸襯 Bushing	1
8	2310000508	軸襯 Bushing	1
9	2310000509	軸襯 Bushing	2
10	2310000510	軸襯 Bushing	1
11	2310000511	軸襯 Bushing	1
12	2310000512	軸襯 Bushing	1
13	2310000513	軸襯 Bushing	2
14	2310000514	軸襯 Bushing	1
15	2310000515	軸襯 Bushing	1
16	2310000516	軸襯 Bushing	1
17	2310000517	油封 Oil Seal	1
18	2310000518	軸襯 Bushing	1
19	2310000519	軸襯 Bushing	1

6. NEEDLE BAR MECHANISM

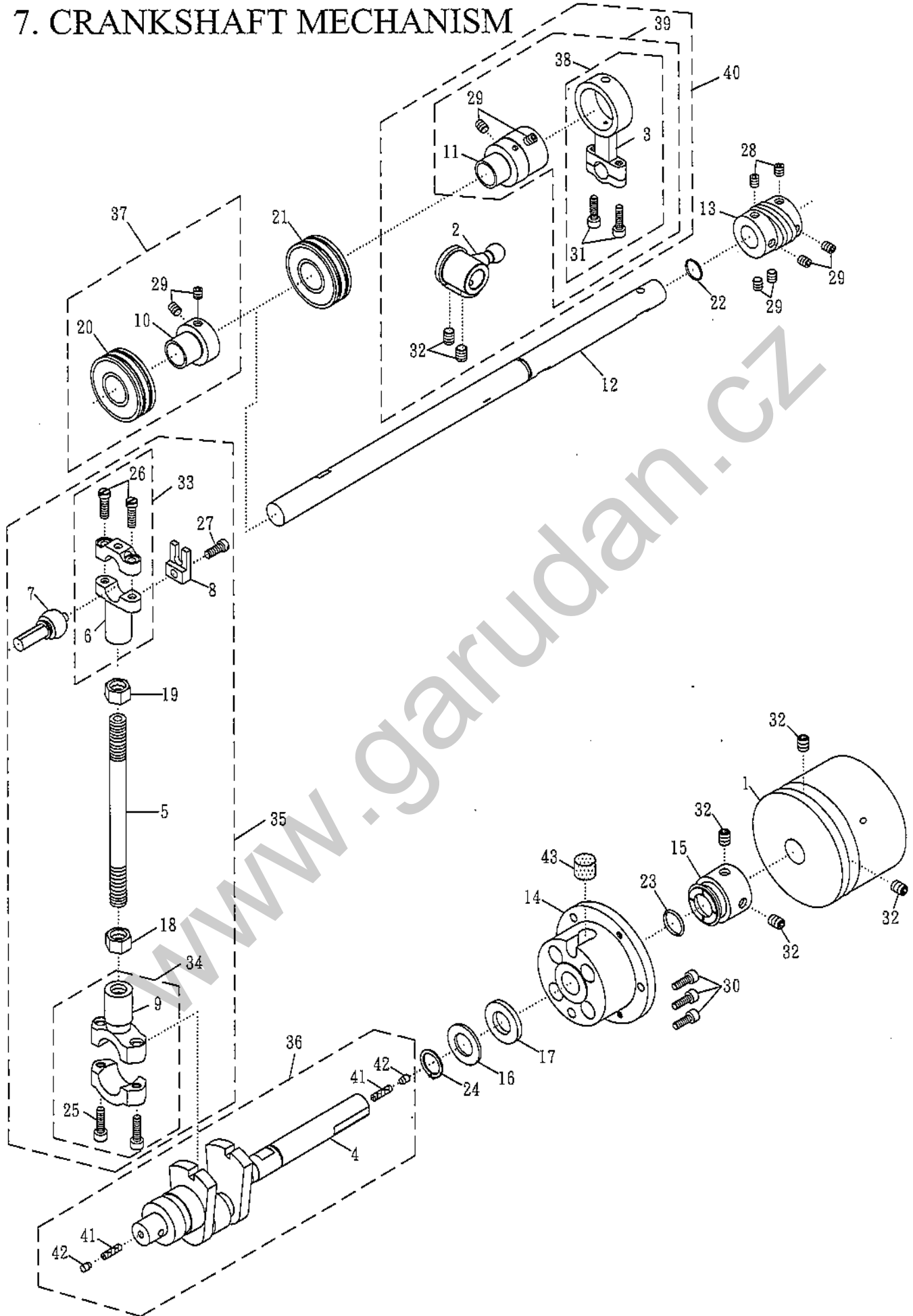


6.針棒與相關零件 Needle Bar Mechanism

序號 Ref.No.	物料編號 Parts No.	名稱 Description	單位用量 Amt. Req.
1	2310000601	滑道 Guide Block -----	1
2	2310000602	滑塊 Slide Block -----	1
3	2310000603	針棒 Needle Bar -----	1
4	2310000604	連桿 Connecting Rod -----	1
5	2310000605	連桿 Connecting Rod -----	1
6	2310000606	連桿 Connecting Rod -----	1
7	2310000607	連接銷 Pin -----	2
8	2310000608	軸 Shaft -----	1
9	2310000609	定位環 Collar -----	2
10	2310000610	止推墊圈 Thrust Bearing -----	2
11	2310000611	油封 Oil Seal -----	1
12	2200000245	孔塞 Plug (CT0245)-----	1
13	2200001044	止推軸承 Thrust Bearing (CT1044)-----	2
14	8MN06400800A	螺絲 Screw (CT0549 M6-1*8) -----	2
15	8MM04281007A	螺絲 Screw (FT0203 M4-0.7*10) -----	4
16	8MN04280500C	螺絲 Screw (FT1222 M4-0.7*5) -----	2
17	8MM06401010A	螺絲 Screw (MT0419 M6-1*10) -----	2
18	2310000618	導線固定座 Holder -----	1
19	2310000619	導線 Thread Guide -----	1
*20	2310000620	導線 Thread Guide -----	1
21	8MB04280608A	螺絲 Screw (UTB0130 M4-0.7*6) -----	4
22	8MM06401610A	螺絲 Screw (CT0625 M6-1*16) -----	1
23	66800	油線 Oil Wick-----	3
24	2310000624	護蓋 Cover -----	1
25	2310000625	護蓋固定座 Holder -----	1
*26	2310000626	護蓋固定座 Holder -----	1
27	8ME04280708A	螺絲 Screw (CT0206 M4-0.7*7) -----	2
28	8MN04280600A	螺絲 Screw (CT1223 M4-0.7*6) -----	4
29	2200001029	孔塞 Plug (CT1029)-----	1
30	231A0000630	連桿組 Connecting Rod Asm.-----	1

* For '4506-. 4523 Use

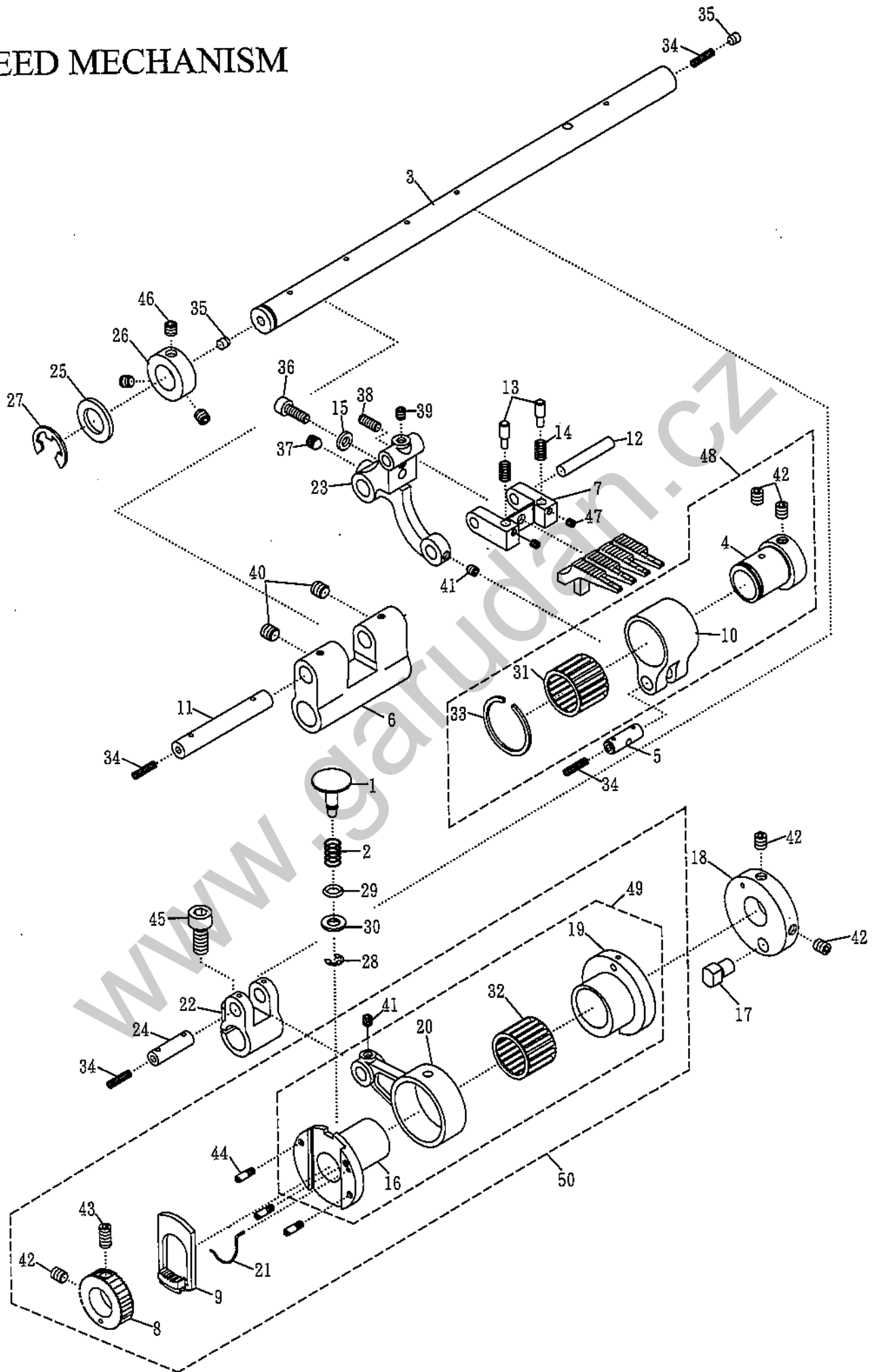
7. CRANKSHAFT MECHANISM



7. 下軸與相關零件 Crankshaft Mechanism

序號 Ref.No.	物料編號 Parts No.	名稱 Description	單位用量 Amt. Req.
1	2310000701	針定位皮帶輪 Belt Cover -----	1
2	2310000702	曲柄 Lever -----	1
3	2310000703	連桿 Connecting Rod -----	1
4	23100007041	曲軸 Crank Shaft -----	1
5	2310000705	螺椿 Stud -----	1
6	2310000706	連桿 Connecting Rod -----	1
7	2310000707	球狀接頭 Ball Stud -----	1
8	2310000708	定向導軌 Guide -----	1
9	2310000709	連桿 Connecting Rod -----	1
10	2310000710	套筒 Clutch Sleeve -----	1
11	2310000711	偏心輪 Eccentric -----	1
12	2310000712	軸 Shaft -----	1
13	2310000713	蝸桿 Worm -----	1
14	2310000714	鋁蓋 Cover -----	1
15	2310000715	定位環 Collar -----	1
16	2310000716	墊圈 Washer -----	1
17	2310000717	墊圈(銅) Washer -----	1
18	2310000718	螺帽 Nut -----	1
19	2310000719	螺帽 Nut -----	1
20	90BB1740126	滾珠軸承 Ball Bearing (MT0720) -----	1
21	90BB1740122	滾珠軸承 Ball Bearing (MT0721) -----	1
22	2310000722	O形油環 O Ring (線徑 ϕ 1.2) -----	1
23	90OR140	O形油環 O Ring (線徑 ϕ 2.4) -----	1
24	90SCR140	C形扣環 C Ring -----	1
25	8MB95301807K	螺絲 Screw (MT0725 M4.5-0.75*18) -----	2
26	8MB95301507K	螺絲 Screw (MT0726 M4.5-0.75*15) -----	2
27	8MB95301106K	螺絲 Screw (MT0727 M4.5-0.75*11) -----	1
28	8MN05320600C	螺絲 Screw (CT350248 M5-0.8*6) -----	2
29	8MN05320600A	螺絲 Screw (MT0729 M5-0.8*6) -----	8
30	8MM04281007A	螺絲 Screw (FT0203 M4-0.7*10) -----	3
31	8MM04281407A	螺絲 Screw (FT1003 M4-0.7*14) -----	2
32	8MN06400800A	螺絲 Screw (CT0549 M4-0.7*8) -----	6
33	231A0000733	連桿組 Connecting Rod Asm. -----	1
34	231A0000734	連桿組 Connecting Rod Asm. -----	1
35	231A0000735	連桿組 Connecting Rod Asm. -----	1
36	231A0000736	曲軸組 Crank Shaft Asm. -----	1
37	231A0000737	連桿組 Connecting Rod Asm. -----	1
38	231A0000738	連桿組 Connecting Rod Asm. -----	1
39	231A0000739	連桿組 Connecting Rod Asm. -----	1
40	231A0000740	偏心輪組 Eccentric Asm. -----	1
41	66800	油線 Oil Wick -----	2
42	2200001029	孔塞 Plug (CT1029) -----	2
43	2100001501	海綿 Seal (SH1501) -----	1

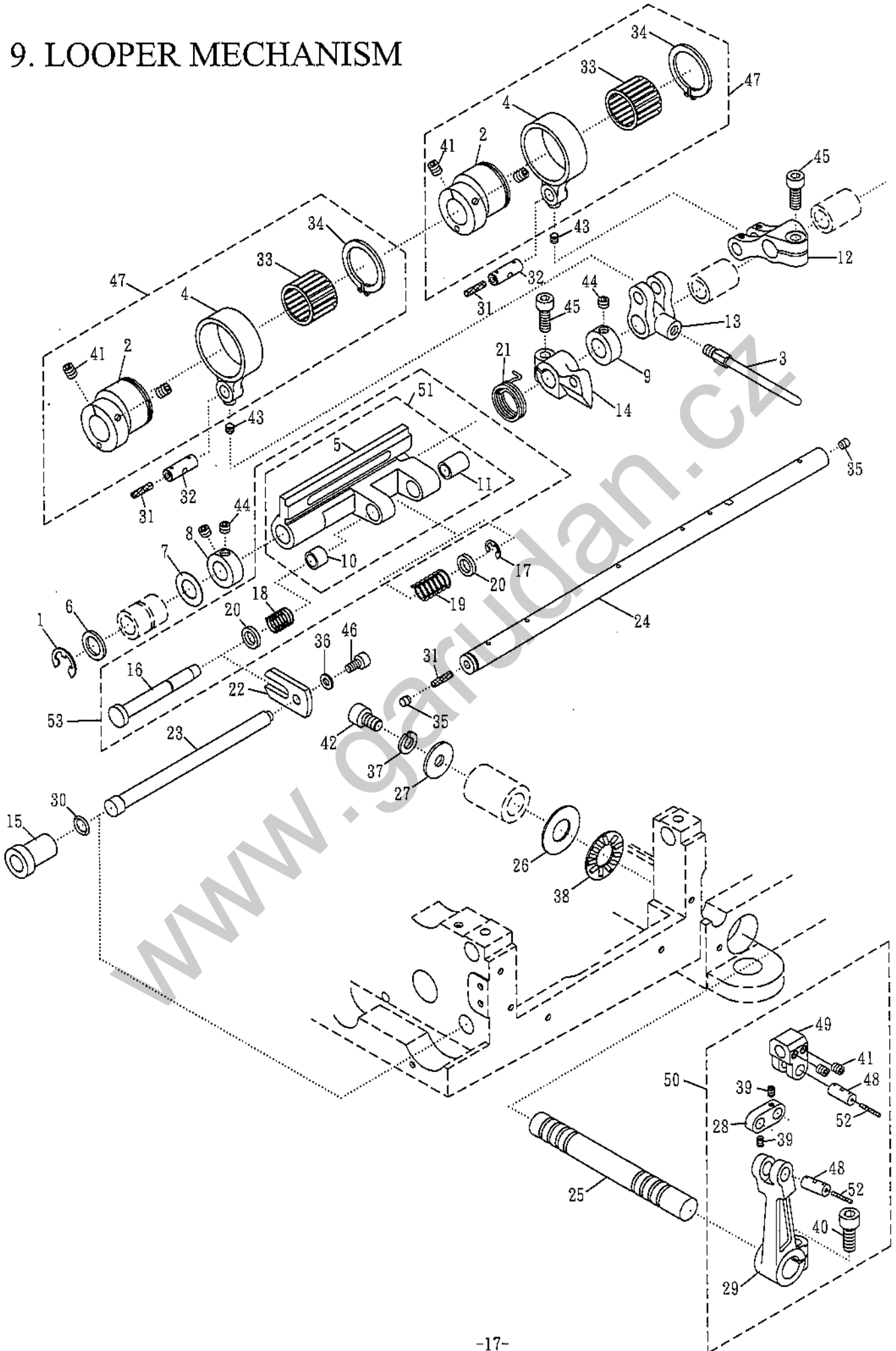
8. FEED MECHANISM



8.進給變換機構 Feed Mechanism

序號 Ref.No.	物料編號 Parts No.	名稱 Description	單位用量 Amt. Req.
1	2310000801	止動銷 Stopper Pin -----	1
2	2310000802	彈簧 Spring -----	1
3	2310000803	軸 Shaft -----	1
4	2310000804	偏心輪 Eccentric -----	1
5	2310000805	連結銷 Link Pin -----	1
6	2310000806	曲柄 Lever -----	1
7	2310000807	狗齒台 Feed Dog Holder -----	1
8	2310000808	離合齒輪 Regulating Gear -----	1
9	2310000809	離合齒片 Regulating Plate -----	1
10	2310000810	連桿 Link -----	1
11	2310000811	連結銷 Link Pin -----	1
12	2310000812	軸 Shaft -----	1
13	2310000813	銷 Pin -----	2
14	2310000814	彈簧 Spring -----	2
15	2310000815	墊圈 Washer -----	1
16	2310000816	變距偏心輪 Eccentric -----	1
17	2310000817	變距銷 Pin -----	1
18	2310000818	變距銷座 Eccentric Collar -----	1
19	2310000819	進給偏心輪 Eccentric -----	1
20	2310000820	連桿 Link -----	1
21	2310000821	彈簧 Spring -----	1
22	2310000822	曲柄 Lever -----	1
23	2310000823	連桿 Link -----	1
24	2310000824	連結銷 Link Pin -----	1
25	2310000825	墊圈 Washer -----	1
26	2310000826	定位環 Collar -----	1
27	90ER100	E形扣環 E Ring (RP10108) -----	1
28	90ER040	E形扣環 E Ring (FT0225) -----	1
29	90OR050	O形油環 O Ring -----	1
30	2200001025	墊圈 Washer (CT1025) -----	1
31	90NB182217	滾針軸承 Needle Bearing -----	1
32	90NB252913	滾針軸承 Needle Bearing -----	1
33	2310000833	C形同心扣環 C Ring -----	1
34	66800	油線 Oil Wick -----	4
35	2200001029	孔塞 Plug (CT1029) -----	2
36	8MM04281207A	螺絲 Screw (CT0202 M4-0.7*12) -----	1
37	8MN05320600C	螺絲 Screw (CT350248 M5-0.8*6) -----	1
38	8MN04281000A	螺絲 Screw (CT0216 M4-0.7*10) -----	1
39	8MN04280400A	螺絲 Screw (CT0229 M4-0.7*4) -----	1
40	8MN06400600A	螺絲 Screw (CT0918 M6-1*6) -----	2
41	8MN04280500C	螺絲 Screw (FT1222 M4-0.7*5) -----	1
42	8MN05320600A	螺絲 Screw (MT0729 M5-0.8*6) -----	5
43	8MN05321000E	螺絲 Screw (MT0843 M5-0.8*10) -----	1
44	8MB03200403F	螺絲 Screw (MT0844 M3-0.5*4) -----	3
45	8MM06401510A	螺絲 Screw (MT0845 M6-1*15) -----	1
46	8MN05320500E	螺絲 Screw (CT0903 M5-0.8*5) -----	3
47	8MN03200300A	螺絲 Screw (CT0115 M3-0.5*3) -----	2
48	231A0000848	連桿組 Link Asm. -----	1
49	231A0000849	變距偏心輪組 Eccentric Asm. -----	1
50	231A0000850	離合齒輪組 Regulating Gear Asm. -----	1

9. LOOPER MECHANISM

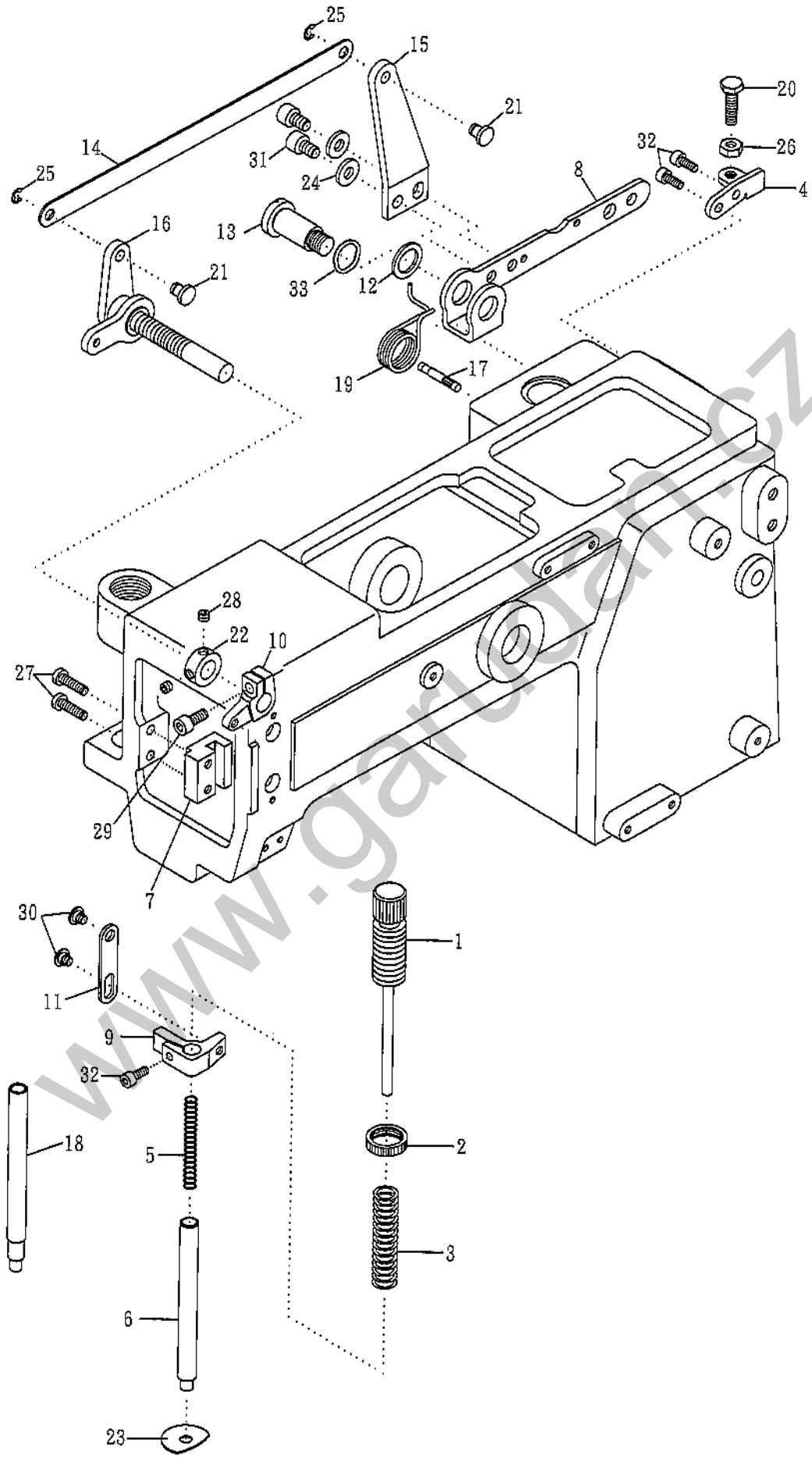


9. 結線鉤驅動機構 Looper Mechanism

序號 Ref.No.	物料編號 Parts No.	名稱 Description	單位用量 Amt. Req.
1	90ER080	E形扣環 E Ring (F090404)	1
2	2310000902	偏心輪 Eccentric	2
3	2310000903	撥線桿 Take-up Rod	1
4	2310000904	連桿 Link	2
⑤	2310000905	承座 Bracket	1
6	2310000906	墊圈 Washer	1
7	2310000907	墊圈 Washer	1
8	2310000908	定位環 Collar	1
9	2310000909	定位環 Collar	1
⑩	2310000910	襯套 Clutch Tension Sleeve	1
⑪	2310000911	襯套 Clutch Tension Sleeve	1
12	2310000912	曲柄 Lever	1
13	2310000913	曲柄 Lever	1
14	2310000914	驅動柄 Looper Rocker Stopper	1
15	2310000915	栓 Stud	1
16	2310000916	軸 Shaft	1
17	90ER050	E形扣環 E Ring (SH0620)	1
18	2310000918	彈簧 Spring	1
19	2310000919	彈簧 Spring	1
20	2310000920	墊圈 Washer	2
21	2310000921	彈簧 Spring	1
22	2310000922	隔板 Plate	1
23	2310000923	軸 Shaft	1
24	2310000924	軸 Shaft	1
25	2310000925	軸 Shaft	1
26	2310000926	止推墊圈 Thrust Washer	1
27	2310000927	墊圈 Washer	1
28	2310000928	連桿 Link	1
29	2310000929	擺動臂 Spreader Arm	1
30	2310000930	O形油環 O Ring	1
31	66800	油線 Oil Wick ϕ 3	3
32	2310000805	連結銷 Link Pin	2
33	90NB252913	滾針軸承 Needle Bearing	2
34	90SCR250	C形扣環 C Ring	2
35	2200001029	孔塞 Plug (C1029)	2
36	90SW040	彈簧墊圈 Spring Washer (UTB0317)	1
37	90SW070	彈簧墊圈 Spring Washer (CT1505)	1
38	2200001044	滾針止推軸承 Needle Bearing (CT1044)	1
39	8MN03200400C	螺絲 Screw (CT1242 M3-0.5*4)	2
40	8MM06401510A	螺絲 Screw (MT0845 M6-1*15)	1
41	8MN05320600A	螺絲 Screw (MT0729 M5-0.8*6)	6
42	8MM06401010A	螺絲 Screw (MT0419 M6-1*10)	1
43	8MN04280500C	螺絲 Screw (FT1222 M4-0.7*5)	2
44	8MN05320400A	螺絲 Screw (MT0944 M5-0.8*4)	4
45	8MM05321409A	螺絲 Screw (CT0632 M5-0.8*14)	2
46	8MM04281007A	螺絲 Screw (FT0203 M4-0.7*10)	1
47	231A0000947	偏心輪組 Eccentric Asm.	2
48	2310000948	連結銷 Link Pin	2
49	2310000949	撥線軸座 Retainer Bar Holder	1
50	231A0000950	撥線軸座組 Retainer Bar Holder Asm.	1
51	231A0000951	承座組 Bracket Asm.	1
52	66802	油線 Oil Wick ϕ 2	2
53	231A0000953	承座組 Bracket Asm.	1

⑤需整組購買 Must be sold in complete set

10. PRESSER FOOT MECHANISM

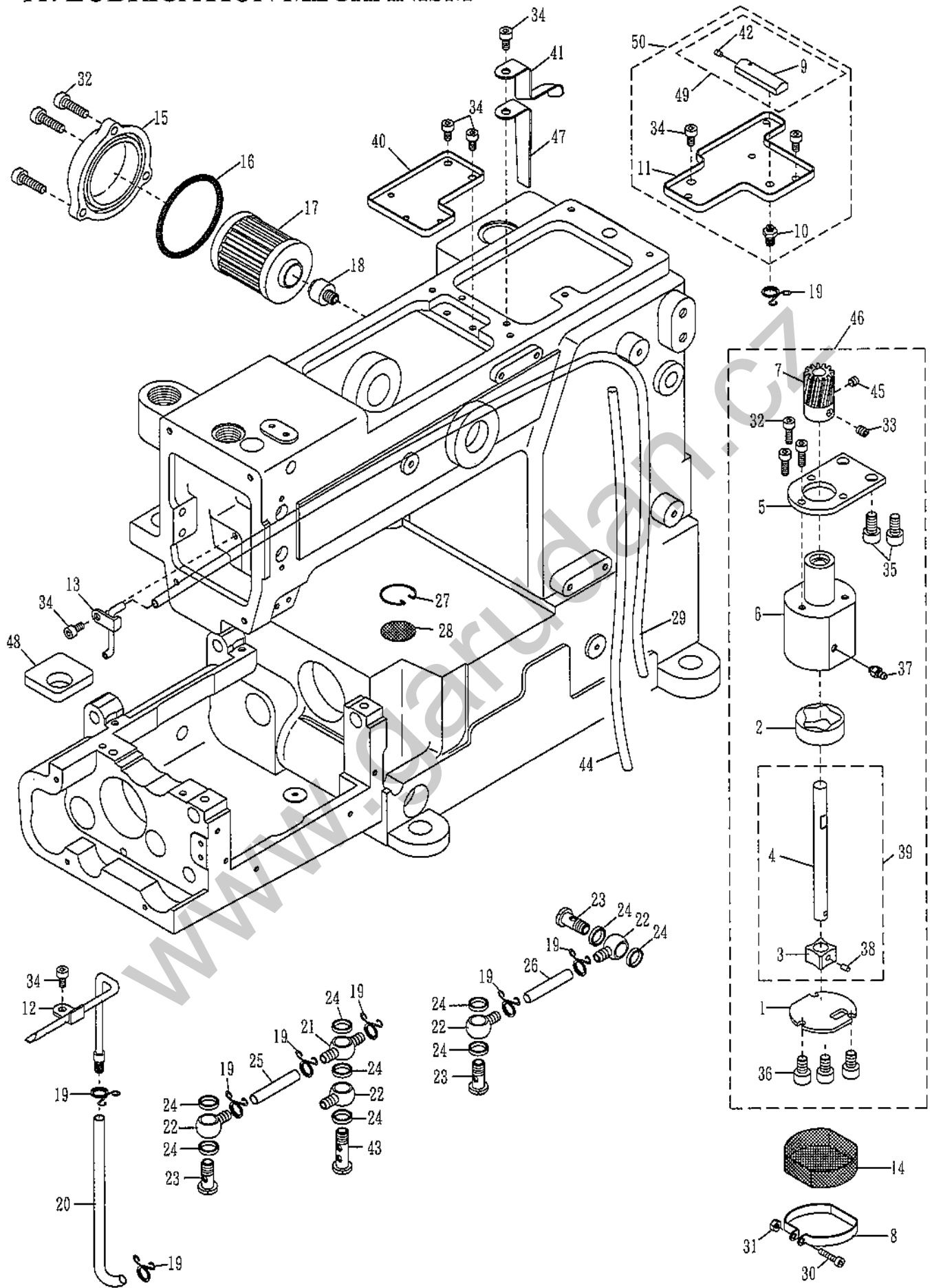


10.壓腳與相關零件 Presser Foot Mechanism

序號 Ref.No.	物料編號 Parts No.	名稱 Description	單位用量 Amt. Req.
1	2310001001	螺椿 Stud -----	1
2	2310001002	螺帽 Nut -----	1
3	2310001003	彈簧 Spring -----	1
4	2310001004	連接塊 Connecting Block -----	1
5	2310001005	彈簧 Spring -----	1
6	2310001006	軸 Shaft -----	1
7	2310001007	滑道 Lower Movable Knife Guide -----	1
8	2310001008	揚昇臂 Lifter Arm -----	1
9	2310001009	曲柄 Lever -----	1
10	2310001010	曲柄 Lever -----	1
11	2310001011	吊桿 Lifter Connecting Plate -----	1
12	2310001012	墊圈 Washer -----	1
13	2310001013	螺椿 Stud -----	1
14	2310001014	拉桿 Lifter Connecting Plate -----	1
15	2310001015	吊臂 Left Upper Feed Roller Arm -----	1
16	2310001016	吊臂 Left Upper Feed Roller Arm -----	1
17	2310001017	銷 Pin -----	1
*18	2310001018	軸 Shaft -----	1
19	2310001019	彈簧 Spring -----	1
20	8SK56322110A	螺絲 Screw (MT1020 7/32"-32*21) -----	1
21	2310001021	連結銷 Connecting Pin -----	2
22	2310000908	定位環 Collar -----	1
23	2200000811	阻油片 Oil Separator (CT0811)-----	1
24	2100000323	墊圈 Washer (SH0323)-----	2
25	90ER040	E形扣環 E Ring (CT0209) -----	2
26	8SA56320410A	螺帽 Nut (F090512 7/32"-32*21) -----	1
27	8MC95301608E	螺絲 Screw (CT0808 M4.5-0.75*16) -----	2
28	8MN05320400A	螺絲 Screw (MT0944 M5-0.8*4) -----	2
29	8MM05321209A	螺絲 Screw (FT0524 M5-0.8*12) -----	1
30	8SC44400810G	螺絲 Screw (MT1030 11/64"-40*5) -----	2
31	8MM06401010A	螺絲 Screw (MT0419 M6-1*10) -----	2
32	8MM04281007A	螺絲 Screw (FT0203 M4-0.7*10) -----	3
33	2310001207	波形墊圈 Corrugated Ring -----	1

*二件組壓腳底用 For bisector presser foot

11. LUBRICATION MECHANISM

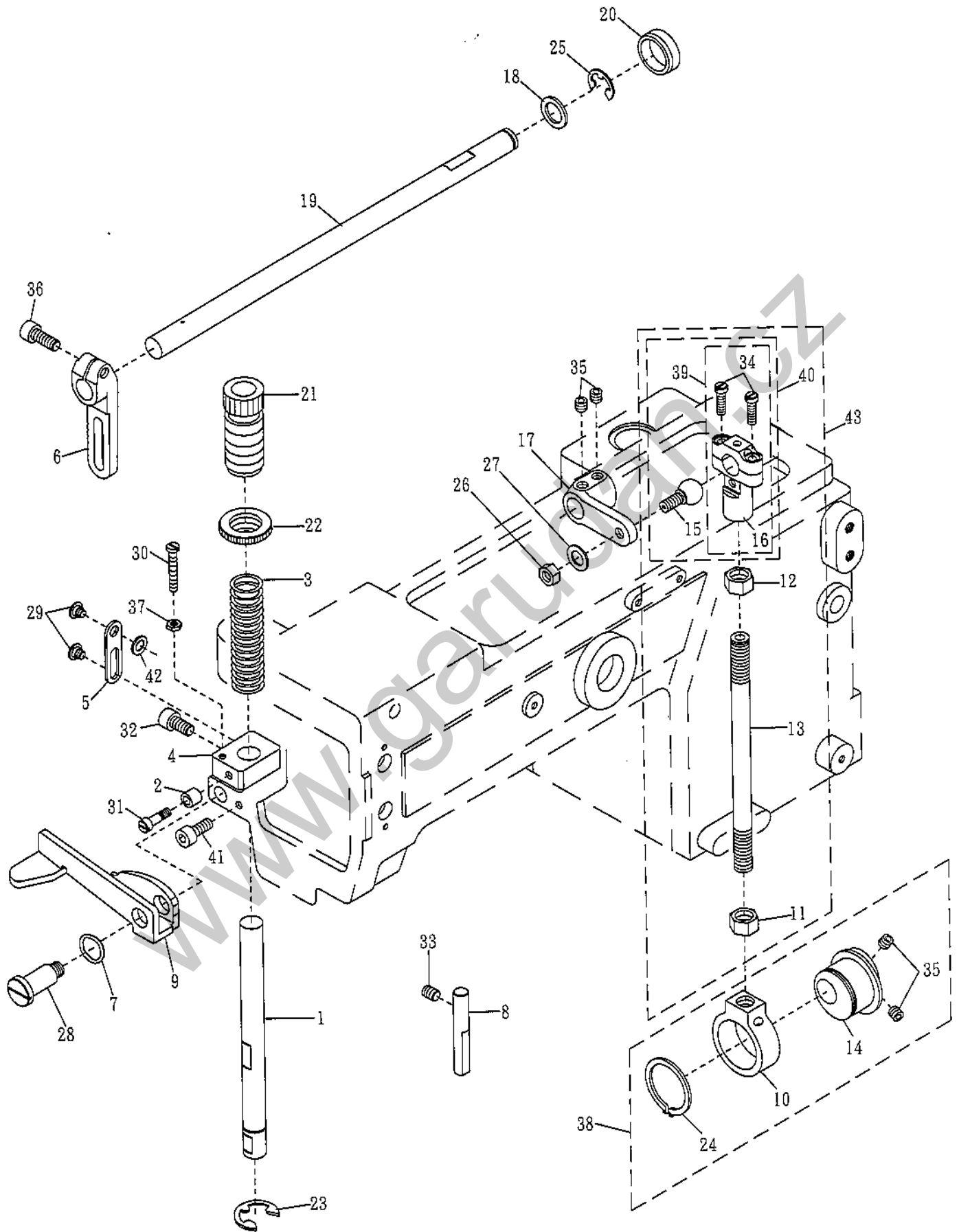


11. 潤滑系統 Lubrication Mechanism

序號 Ref.No.	物料編號 Parts No.	名稱 Description	單位用量 Amt. Req.
01	2310001101	蓋板 Lower Feed Roller Cover -----	1
02	2310001102	齒輪 Gear -----	1
03	2310001103	齒輪 Gear -----	1
04	2310001104	軸 Shaft -----	1
05	2310001105	泵座 Pump Seat -----	1
06	2310001106	泵 Pump -----	1
07	2310001107	蝸母 Worm Gear -----	2
8	2310001108	夾簧 Latch Spring -----	1
09	2310001109	導油歧路 Lubricant Guiding Block -----	1
10	2310001110	油嘴 Nozzle -----	1
11	2310001111	承油盤 Oil Receiver -----	1
12	2310001112	油管 Oil Tube -----	1
13	2310001113	油管 Oil Tube -----	1
14	2310001114	油網 Oil Mesh -----	1
15	2200001311	封蓋 Oil Filter Cover (CT1311)-----	1
16	2200001313	O形油環 O Ring (CT1313)-----	1
17	2100001521	過濾器 Oil Filter (SH1521)-----	1
18	2200001315	過濾器接頭 Oil Filter Joint (CT1315)-----	1
19	2100001536	夾簧 Latch Spring (SH1536)-----	8
20	2200001334	油管 Oil Tube (CT1324)-----	1
21	2200001327	油管接頭 Oil Tube Joint (CT1327) -----	1
22	2100001535	油管接頭 Oil Tube Joint (SH1535)-----	4
23	2100001533	螺樁 Stud (SH1533) -----	3
24	2100001534	墊圈 Washer (SH1534) -----	9
25	2200001328	油管 Oil Tube (CT1328) -----	1
26	2200001332	油管 Oil Tube (CT1332) -----	1
27	2200001316	扣簧 Filter Screen Clamp (CT1316)-----	1
28	2200001317	網板 Filter Screen (CT1317)-----	1
29	66790	油管 Oil Tube (φ 3* φ 5) -----	1
30	8MM03201606A	螺絲 Screw (MT1130 M3-0.5*15) -----	1
31	8MA03200306A	螺帽 Nut (FTB0111 M3-0.5*3) -----	1
32	8MM04281207A	螺絲 Screw (CT0202 M4-0.7*12) -----	6
33	8MN05320600A	螺絲 Screw (MT729 M5-0.8*6) -----	1
34	8MM04280607A	螺絲 Screw (MT1134 M4-0.7*6) -----	7
35	8MM06401210A	螺絲 Screw (FT1103 M6-1*12) -----	2
36	8MM03200606A	螺絲 Screw (CT130406 M3-0.5*6) -----	3
37	2100001505	油嘴 Oil Tube Joint (SH1505)-----	1
38	90SP0310	彈簧銷 Spring Pin (SH0508)-----	1
39	231A0001139	齒輪組 Gear Asm. -----	1
40	2310001140	承油盤 Oil Receiver -----	1
41	2310001141	油管支持臂 Oil Tube Holder -----	1
42	2200000550	孔塞 Plug (CT0550) -----	1
43	2200001338	螺樁 Stud (CT1338) -----	1
44	66792	油管 Oil Tube (φ 4.1* φ 5.7) -----	1
45	8MN05320400A	螺絲 Screw (MT0944 M5-0.8*4) -----	1
46	231A0001146	泵組 Pump Asm. -----	1
47	2310001147	油管支持臂 Oil Tube Holder -----	1
48	2310001148	羊毛氈 Felt -----	1
49	231A0001149	導油歧路組 Lubricant Guiding Block Asm. -----	1
50	231A0001150	承油盤組 Oil Receiver Asm -----	1

* 需整組購買 Must be sold in complete set

12. REAR PULLER MECHANISM

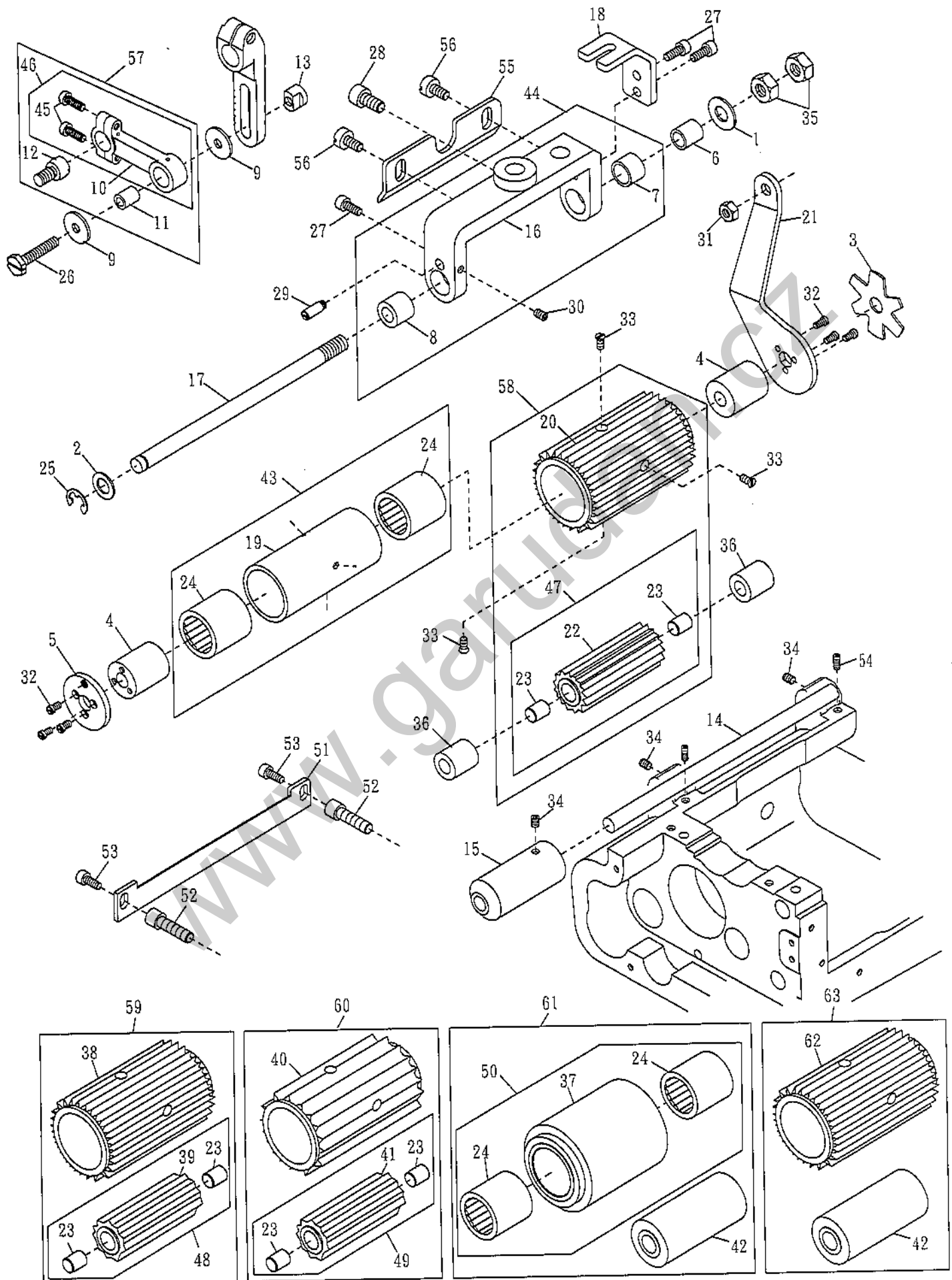


12.後引式拖輪機構 Rear Puller Mechanism

序號 Ref.No.	物料編號 Parts No.	名稱 Description	單位用量 Amt. Req.
1	2310001201	軸 Shaft -----	1
2	2310001202	定位環 Collar -----	1
3	2310001203	彈簧 Sping -----	1
4	2310001204	彈簧座 Spring Set -----	1
5	2310001205	吊桿 Lifter Connecting Plate -----	1
6	2310001206	拉臂 Upper Feed Roller Arm -----	1
7	2310001207	波形墊圈 Corrugated Washer -----	1
8	2310001208	軸 Shaft -----	1
9	2310001209	揚昇手臂 Lifter Arm -----	1
⑩	2310001210	接頭 Joint -----	1
11	2310000718	螺帽 Nut -----	1
12	2310000719	螺帽 Nut -----	1
13	2310001213	螺樁 Stud -----	1
⑭	2310001214	偏心輪 Eccentric -----	1
⑮	2310001215	球狀接頭 Ball Stud -----	1
⑯	2310001216	連桿 Link -----	1
17	2310001217	連桿 Link -----	1
18	2310001218	墊圈 Washer -----	1
19	2310001219	軸 Shaft -----	1
20	2200000245	孔塞 Plug (CT0245)-----	1
21	2310001221	調壓螺樁 Spring Regulator -----	1
22	2310001222	螺帽 Nut -----	1
23	90ER100	E形扣環 Ring (RP10108) -----	1
⑳	90SCR280	C形扣環 C Ring -----	1
25	90ER090	E形扣環 E Ring (SH0658) -----	1
26	8MA06400510A	螺帽 Nut (CT0533 M6-1*5) -----	1
27	2200000910	墊圈 Washer (CT0910)-----	1
28	8MB08502816G	螺樁 Stud (MT1228 M8-1.25*7) -----	1
29	8SC44400810G	螺絲 Screw (MT1030 11/64"-40*5) -----	2
30	8SB44400306K	螺絲 Screw (MT1230 11/64"-40*30) -----	1
31	8SB44401507G	螺絲 Screw (MT1231 11/64"-40*7) -----	1
32	8MM06401510A	螺絲 Screw (MT0845 M6-1*15) -----	1
33	8MN06400800A	螺絲 Screw (CT0549 M6-1*8) -----	1
⑳	8MB95301507K	螺絲 Screw (MT0726 M4.5-0.75*15) -----	2
⑳	8MN06400600A	螺絲 Screw (CT0918 M6-1*6) -----	4
36	8MM06401610A	螺絲 Screw (CT0625 M6-1*16) -----	1
37	8SA44400407A	螺帽 Nut (SH0111 11/64"-40*4) -----	1
38	231A0001238	偏心輪組 Eccentric Asm. -----	1
⑳	231A0001239	連桿組 Link Asm. -----	1
40	231A0001240	連桿組 Link Asm. -----	2
41	8MM04281007A	螺絲 Screw (FT0203 M4-0.7*10) -----	1
42	2310001242	減震橡膠 Rubber Cushion -----	1
43	231A0001243	連桿組 Link Asm. -----	1

⑳ 需整組購買 Must be sold in complete set

13. REAR PULLER MECHANISM (4504)



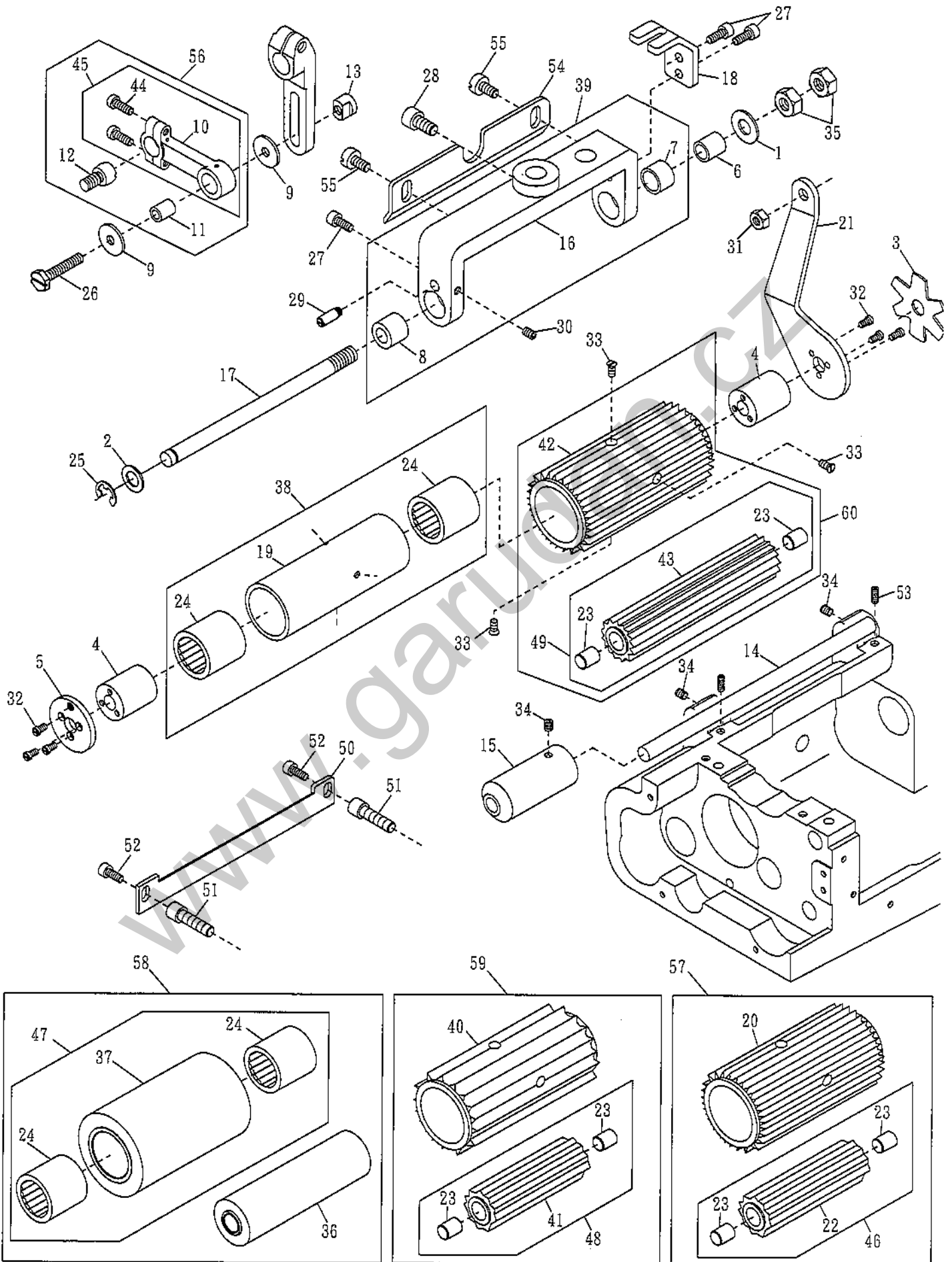
13.後弓式拖輪機構 Rear Puller Mechanism(4504)

序號 Ref.No.	物料編號 Parts No.	名稱 Description	單位用量 Amt. Req.
1	2310001301	墊圈 Washer	1
2	2310001302	墊圈 Washer	1
3	2310001303	星形磨環 Clutch Tension Spring	1
4	23100013041	離合器 Clutch	2
5	2310001305	封蓋 Cover	1
6	2310001306	襯套 Clutch Tension Sleeve	1
7	2310001307	軸襯 Bushing	1
8	2310001308	軸襯 Bushing	1
9	2310001309	墊圈 Washer	2
10	2310001310	連桿 Link	1
11	2310001311	襯套 Clutch Tension Sleeve	1
12	2310001312	球狀接頭 Ball Joint	1
13	2310001313	隔環 Spacer	1
14	2310001314	軸 Shaft	1
15	2310001315	套筒 Clutch Sleeve	1
16	2310001316	主動輪軸 Bracket	1
17	2310001317	軸 Shaft	1
18	2310001318	導軌 Yoke Guide	1
19	2310001319	套筒 Clutch Sleeve	1
20	2310001320	主動輪 Upper Feed Rollar (28 齒)	1
21	2310001321	拉柄 Clutch Driving Lever	1
22	2310001322	從動輪 Lower Feed Roller (15齒)	1
23	2310001323	軸襯 Bushing	2
24	90NB202626	單向滾針軸承 Needle Bearing (HLF2026)	2
25	90ER070	E形扣環 E Ring	1
26	8MK05322710A	螺絲 Screw (MT1326 M5-0.8*27)	1
27	8MM04281007A	螺絲 Screw (FT0203 M4-0.7*10)	3
28	8MM06401210A	螺絲 Screw (FT1103 M6-1*12)	1
29	8SB44400305N	螺絲 Screw (MT1329 11/64"-40*3)	1
30	8MN04280600A	螺絲 Screw (CT1223 M4-0.7*6)	1
31	8SA64400409B	螺帽 Nut (RP0319 1/4"-40*4)	1
32	8SB32440605A	螺絲 Screw (MT1332 1/8"-44*6)	6
33	8SF36400606A	螺絲 Screw (RP10217 9/64"-40*8)	3
34	8MN04280500A	螺絲 Screw (MT1334 M4-0.7*5)	3
35	8MA08500613A	螺帽 Nut (RP10208 M8-1.25*6)	2
36	2310001336	隔環 Spacer	2
37	2310001337	從動輪 Lower Feed Roller (0 齒)	2
38	2310001338	主動輪 Upper Feed Rollar (22 齒)	1
39	2310001339	從動輪 Lower Feed Roller (12 齒)	1
40	2310001340	主動輪 Upper Feed Rollar (18 齒)	1
41	2310001341	從動輪 Lower Feed Roller (10 齒)	1
42	2310001342	從動輪 Lower Feed Roller (0 齒)	1
43	231A0001343	套筒組 Clutch Sleeve Asm.	1
44	231A0001344	主動輪軸組 Upper Feed Roller Shaft Asm.	1
45	8MB85241006K	螺絲 Screw (CT0621 M3.5-0.6*10)	2
46	231A0001346	連桿組 Link Asm.	1
47	231A0001347	從動輪組 Lower Feed Roller Asm. (15 齒)	1
48	231A0001348	從動輪組 Lower Feed Roller Asm. (12 齒)	1
49	231A0001349	從動輪組 Lower Feed Roller Asm. (10 齒)	1
50	231A0001350	從動輪組 Lower Feed Roller Asm. (0齒)	1
51	2310001351	護蓋 Cover	1
52	2310001352	螺絲 Stud	2
53	8MB04280607K	螺絲 Screw (MT0233 M4-0.7*6)	2
54	8MN05321000E	螺絲 Screw (MT0843 M5-0.8*10)	2
55	2310001355	護蓋 Cover	1
56	8MB04280608A	螺絲 Screw (UTB0130 M4-0.7*6)	2
57	231A0001357	連桿組 Link Asm.	1
58	231A0001358	拖輪組 Puller Asm.	1
59	231A0001359	拖輪組 Puller Asm.	1
60	231A0001360	拖輪組 Puller Asm.	1
61	231A0001361	拖輪組 Puller Asm.	1
62	2310001362	主動輪 Upper Feed Rollar (59 齒)	1
63	231A0001363	拖輪組 Puller Asm.	1

● 需整組購買 Must be sold in complete set

● 特製品 Custom-made Item

14. REAR PULLER MECHANISM (... 4506- 4523)



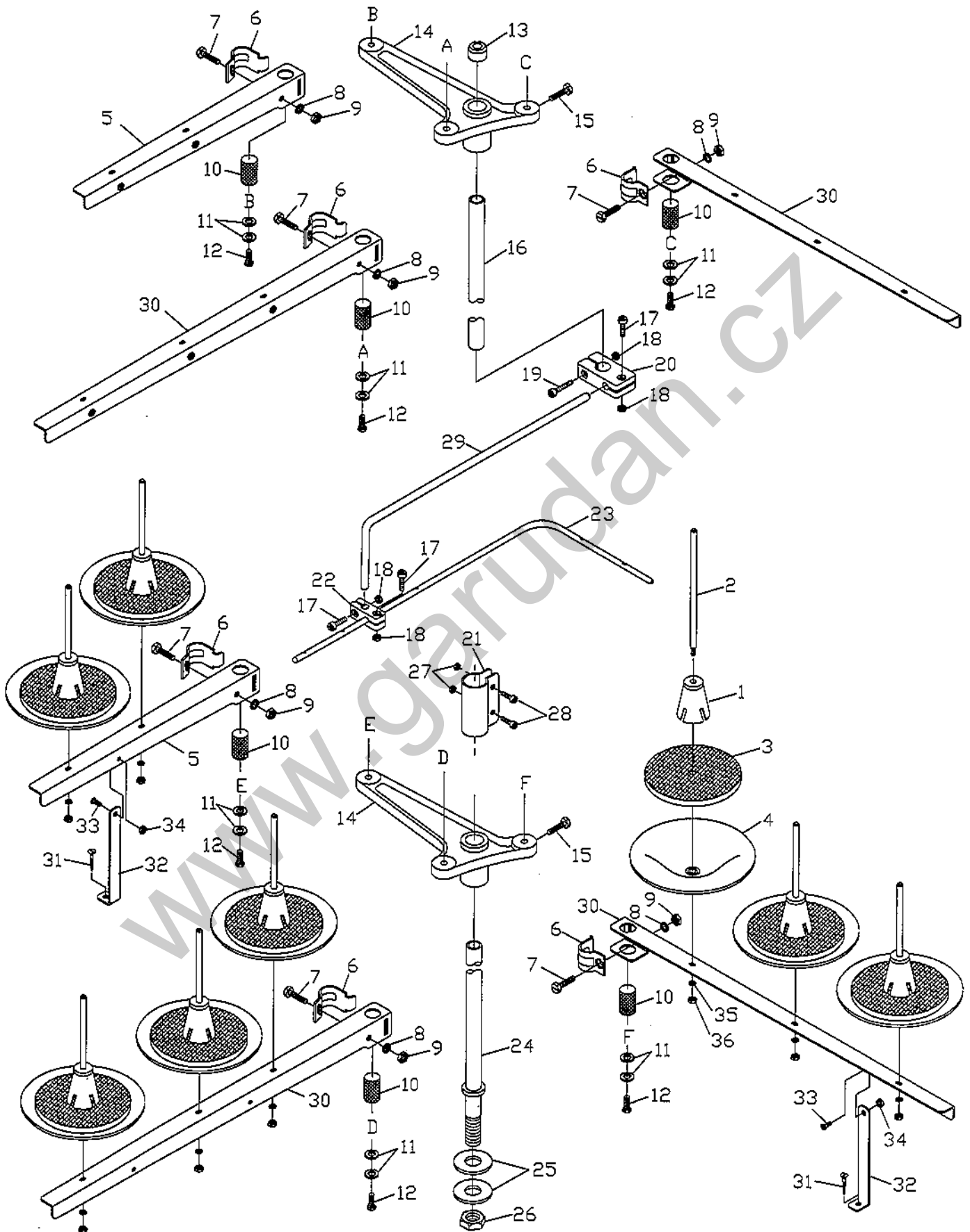
14.後引式拖輪機構 Rear Puller Mechanism(4506- 4523)

序號 Ref.No.	物料編號 Parts No.	名稱 Description	單位用量 Amt. Req.
1	2310001301	墊圈 Washer -----	1
2	2310001302	墊圈 Washer -----	1
3	2310001303	星形壓環 Clutch Tension Spring -----	1
4	23100013041	離合器 Clutch -----	2
5	2310001305	封蓋 Cover -----	1
6	2310001306	襯套 Clutch Tension Sleeve -----	1
⑦	2310001307	軸襯 Bushing -----	1
⑧	2310001308	軸襯 Bushing -----	1
9	2310001309	墊圈 Washer -----	2
⑩	2310001310	連桿 Link -----	1
11	2310001311	襯套 Clutch Tension Sleeve -----	1
⑫	2310001312	球狀接頭 Ball Joint -----	1
13	2310001313	隔環 Spacer -----	1
14	2310001314	軸 Shaft -----	1
15	2310001315	套筒 Clutch Sleeve -----	1
⑬	2310001416	主動輪軸 Bracket -----	1
17	2310001417	軸 Shaft -----	1
18	2310001418	導軌 Yoke Guide -----	1
⑱	2310001419	套筒 Clutch Sleeve -----	1
⑳	2310001420	主動輪 Upper Feed Rollar (22齒) -----	1
21	2310001421	拉柄 Clutch Driving Lever -----	1
㉑	2310001422	從動輪 Lower Feed Roller (12齒) -----	1
㉒	2310001323	軸襯 Bushing -----	2
㉓	90NB202626	單向滾針軸承 Needle Bearing (HLF2026) -----	2
25	90ER070	E形扣環 E Ring -----	1
26	8MK05322710A	螺絲 Screw (MT1326 M5-0.7*27) -----	1
27	8MM04281007A	螺絲 Screw (FT0203 M4-0.7*10) -----	3
28	8MM06401210A	螺絲 Screw (FT1103 M6-1*12) -----	1
29	8SB44400305N	螺絲 Screw (MT1329 11/64"-40*3) -----	1
30	8MN04280600A	螺絲 Screw (CT1223 M4-0.7*6) -----	1
31	8SA64400409B	螺帽 Nut (RP0319 1/4"-40*4) -----	1
32	8SB32440605A	螺絲 Screw (MT1332 1/8"-44*6) -----	6
33	8SF36400606A	螺絲 Screw (RP10217 9/64"-40*8) -----	3
34	8MN04280500A	螺絲 Screw (MT1334 M4-0.7*5) -----	3
35	8MA08500613A	螺帽 Nut (RP10208 M8-1.25*6) -----	2
36	2310001436	從動輪 Lower Feed Roller -----	1
㉔	2310001437	主動輪 Lower Feed Roller -----	2
38	231A0001438	套筒組 Clutch Sleeve Asm. -----	1
39	231A0001439	主動輪軸組 Upper Feed Roller Shaft Asm. -----	1
40	2310001440	主動輪 Upper Feed Roller (18齒) -----	1
④	2310001441	從動輪 Lower Feed Roller (10齒) -----	1
42	2310001442	主動輪 Upper Feed Roller (28齒) -----	1
㉕	2310001443	從動輪 Lower Feed Roller (15齒) -----	1
44	8MB85241006K	螺絲 Screw (CT0621 M3.5-0.6*10) -----	2
㉖	231A0001346	連桿組 Link Asm. -----	1
46	231A0001446	從動輪組 Lower Feed Roller Asm. (12齒) -----	1
47	231A0001447	從動輪組 Lower Feed Roller Asm. (0齒) -----	1
48	231A0001448	從動輪組 Lower Feed Roller Asm. (10齒) -----	1
49	231A0001449	從動輪組 Lower Feed Roller Asm. (15齒) -----	1
50	2310001351	護蓋 Cover -----	1
51	2310001352	螺樁 Stud -----	1
52	8MB04280607K	螺絲 Screw (MT0233 M4-0.7*6) -----	2
53	8MN05321000E	螺絲 Screw (MT0843 M5-0.8*10) -----	2
54	2310001454	護蓋 Cover -----	1
55	8MB04280608A	螺絲 Screw (UTB0130 M4-0.7*6) -----	2
56	231A0001357	連桿組 Link Asm. -----	1
57	231A0001457	拖輪組 Puller Asm. -----	1
●58	231A0001458	拖輪組 Puller Asm. -----	1
●59	231A0001459	拖輪組 Puller Asm. -----	1
●60	231A0001460	拖輪組 Puller Asm. -----	1

需整組購買 Must be sold in complete set

●特註品 Custom-made Item

15. 66711-1 Thread Stand Mechanism

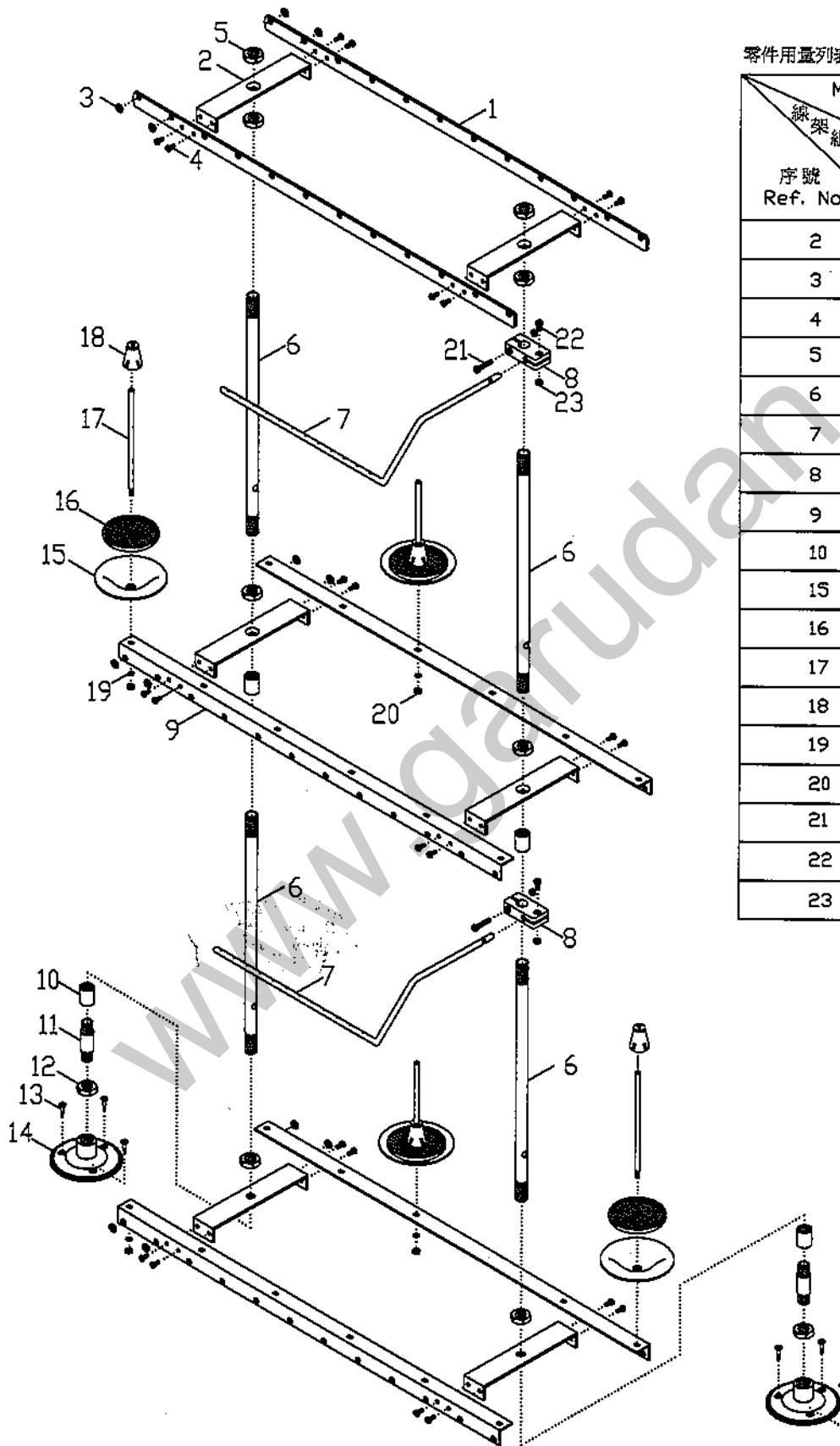


15. 66711-1 線架 Thread Stand Mechanism (4504)

序號 Ref.No.	物料編號 Parts No.	名稱 Description	單位用量 Amt. Req.
①	667101	定心錐 Spool Retaining Fig (67101)-----	8
②	667102	線盤軸 Spool Pin (67102)-----	8
③	667103	緩衝墊 Seat (67103)-----	8
④	667104	線盤 Spool Set (67104)-----	8
⑤	667105	線盤座 Spool Set Bracket (67105)-----	2
⑥	667106	夾板 Clamp (67106)-----	6
⑦	667107	螺絲 Screw (67107)-----	6
⑧	667108	彈簧墊圈 Spring Washer (67108)-----	6
⑨	667109	螺帽 Nut (67109)-----	6
⑩	6671010	支架 Knife Holder Bracket (67010)-----	6
⑪	6671011	墊圈 Washer (671011)-----	12
⑫	6671012	螺絲 Screw (671012)-----	6
⑬	6671013	柱帽 Rod Cup (671013)-----	1
⑭	6671014	軸 Shaft (671014)-----	2
⑮	6671015	螺絲 Screw (671015)-----	2
⑯	6671016	上柱 Upper Thread Stand Rod (671016)-----	1
⑰	6671017	螺絲 Screw (671017)-----	3
⑱	6671018	螺帽 Nut (671018)-----	4
⑲	6671019	螺絲 Screw (671019)-----	1
⑳	6671020	接頭 Bracket (671020)-----	1
㉑	6671021	接頭 Bracket(671021)-----	1
㉒	6671022	接頭 Joint (671022)-----	1
㉓	6671023	導線桿 Thread Guide (671023)-----	1
㉔	6671024	下柱 Lower Thread Stand Rod (671024)-----	1
㉕	6671025	墊圈 Washer (671025)-----	2
㉖	6671026	螺帽 Nut (671026)-----	1
㉗	6671027	螺帽 Nut (671027)-----	2
㉘	6671028	螺絲 Screw (671028)-----	2
㉙	6671029	旋臂 Arm (671029)-----	1
㉚	6671030	線盤座 Spool Set Bracket (671030)-----	4
㉛	6671031	木螺絲 Wood Screw (671031)-----	2
㉜	6671032	撐桿 Support Rod (671032)-----	2
㉝	6671033	螺絲 Screw (671033)-----	2
㉞	6671034	螺帽 Nut (671034)-----	2
㉟	6671035	彈簧墊圈 Spring Washer (671035)-----	8
㊱	6671036	螺帽 Nut (671036)-----	8

①需整組購買 Must be sold in complete set

16. 66711-5 & 66711-6 & 66711-7 Thread Stand Mechanism (4506- 4523)



零件用量列表 Amt. Req.

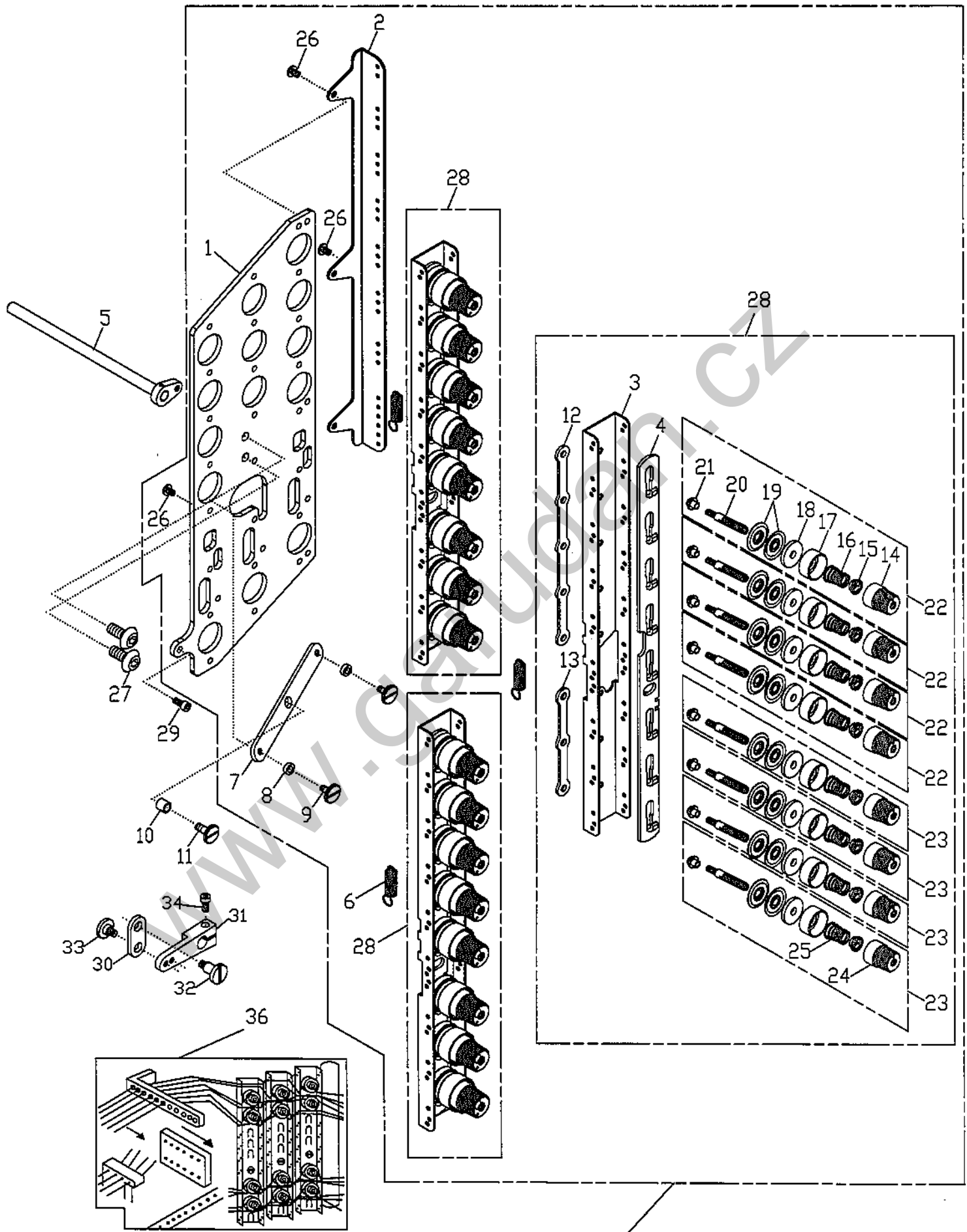
線架組編號 序號 Ref. No.	Model 機型	4506	4509	4512 4523
	編號 No.	66711-5	66711-6	66711-7
2		4	6	6
3		48	72	72
4		16	24	24
5		6	8	8
6		2	4	4
7		1	2	2
8		1	2	2
9		2	4	4
10		2	4	4
15		12	18	24
16		12	18	24
17		12	18	24
18		12	18	24
19		12	18	24
20		12	18	24
21		1	2	2
22		1	2	2
23		2	4	4

16. 66711-5&66711-6&66711-7 線架 Thread Stand Mechanism (4506-4523)

序號	物料編號	名稱	單位用量
Ref.No.	Parts No.	Description	Amt. Req.
◎1	66711501	導線桿 Thread Guide -----	2
◎2	66711502	支架 Holder -----	-
◎3	66711503	導線 Thread Guide -----	-
◎4	66711504	螺絲 Screw -----	-
◎5	66711505	螺帽 Nut -----	-
◎6	66711506	柱 Thread Stand Rod -----	-
◎7	66711507	旋臂 Arm -----	-
◎8	66711508	接頭 Joint -----	-
◎9	66711509	線盤座 Spool Set Bracket -----	-
◎10	66711510	軸襯 Bushing -----	-
◎11	66711511	螺椿 Stud -----	2
◎12	66711512	螺帽 Nut -----	2
◎13	66711513	螺絲 Screw -----	6
◎14	66711514	基座 Base -----	2
◎15	66711515	線盤 Spool Set (See Left Page) -----	-
◎16	66711516	緩衝墊 Seat (See Left Page) -----	-
◎17	66711517	線盤軸 Spool Pin (See Left Page) -----	-
◎18	66711518	定心錐 Spool Retaining Fig (See Left Page)-----	-
◎19	66711519	彈簧墊圈 Spring Washer -----	-
◎20	66711520	螺帽 Nut -----	-
◎21	66711521	螺絲 Screw -----	-
◎22	66711522	螺絲 Screw -----	-
◎23	66711523	螺帽 Nut -----	-

◎需整組購買 Must be sold in complete set

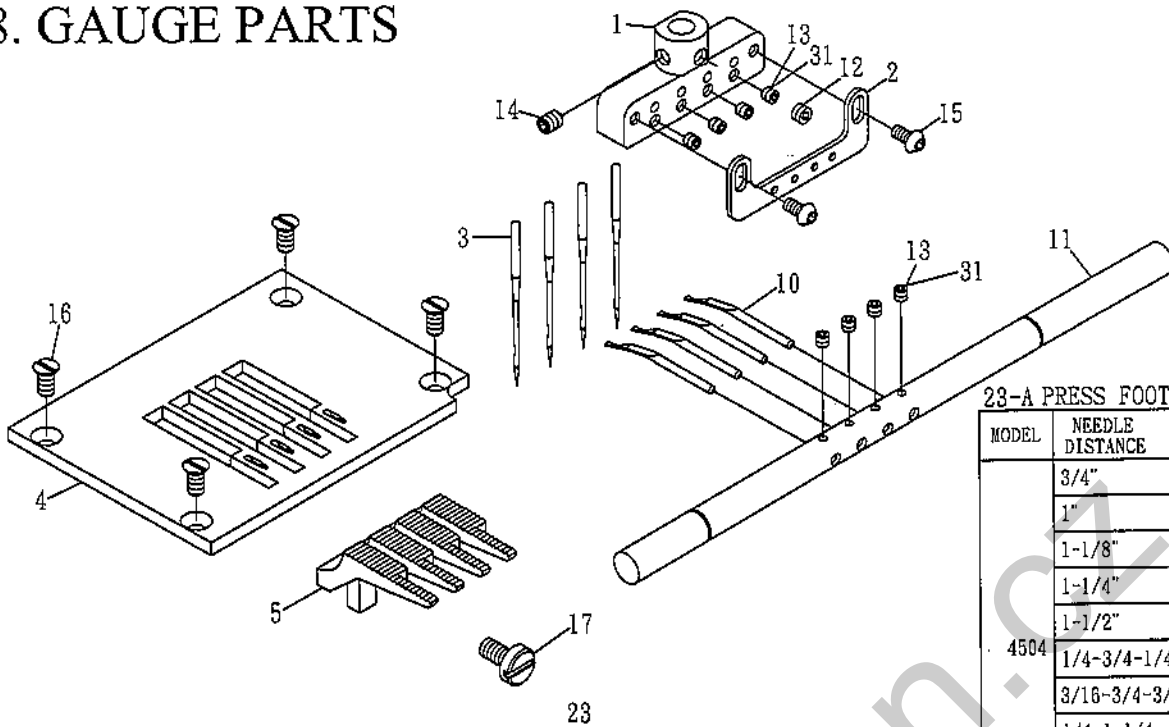
17. TENSION STAND MECHANISM (4506- 4523)



17. 鬆線機構 Tension Stand Mechanism(.4506-4523)

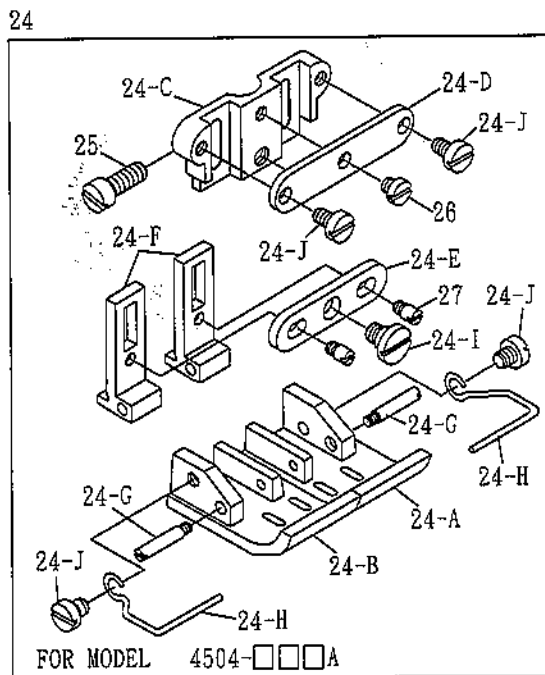
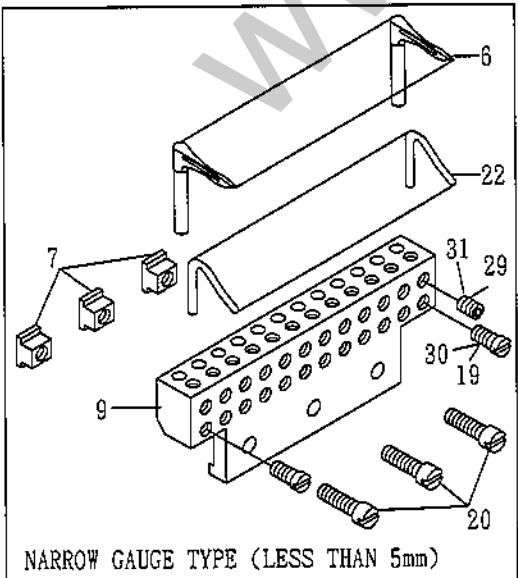
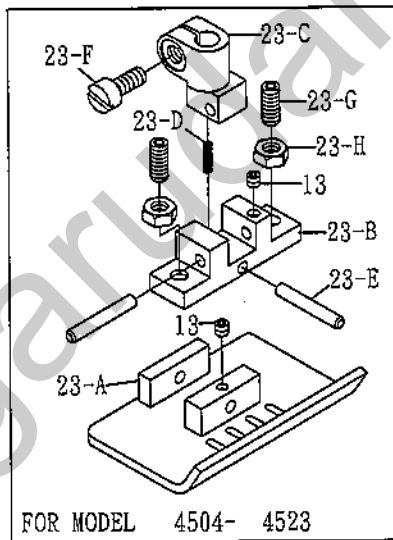
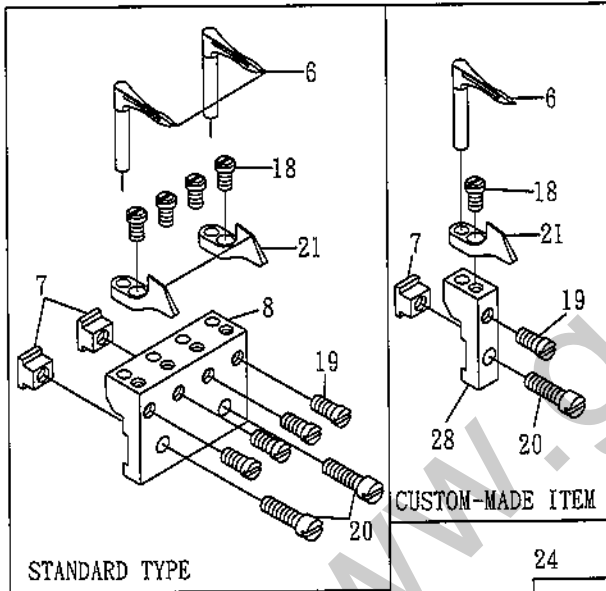
序號 Ref.No.	物料編號 Parts No.	名稱 Description	單位用量 Amt. Req.
1	2310001901	鬆線座 Tension Post Support -----	1
2	2310001902	過線板 Thread Guide -----	1
3	2310001903	鬆線板 Release Wedge-----	3
4	2310001904	鬆線板 Release Wedge-----	3
5	2310001905	軸 Shaft -----	1
6	2310001906	彈簧 Spring -----	3
7	2310001907	活動片 Plate -----	1
8	2310001908	隔環 Spacer (See left Page) (CT03091)-----	2
9	2310001909	螺樁 Stud (See left Page) (CT03081)-----	2
10	2310001910	隔環 Spacer (See left Page) (CT03091)-----	1
11	2310001911	螺樁 Stud (See left Page) (CT03081)-----	1
12	2310001912	隔環 Spacer (See left Page) (CT03091)-----	3
13	2310001913	隔環 Spacer (See left Page) (CT03091)-----	3
14	2100001121	張力調整螺帽 Tension Nut (Red) (See left Page)(SH1121) --	12
15	2200000303	套管 Bushing (See left Page) (SH1122)-----	24
16	2100001123	彈簧 Spring (Red) (See left Page)(SH1123) -----	12
17	2200000305	彈簧座 Spring Seat (See left Page)(CT0305) -----	24
18	2100001127	羊毛氈 Felt (See left Page)(SH1127) -----	24
19	2100001126	張力控制盤 Tension Disc (See left Page)(SH1126) -----	48
20	2200000308	螺樁 Stud (See left Page) (CT03081)-----	24
21	2200000309	隔環 Spacer (See left Page) (CT03091)-----	24
22	231A0001922	鬆線組 Thread Tension Mechanism (Red)	12
23	231A0001923	鬆線組 Thread Tension Mechanism (Red)	12
24	2100001121	張力調整螺帽 Tension Nut (Red) (See left Page)(SH1121) -----	12
25	2100001132	彈簧 Spring (藍)-----	12
26	8MB04280608A	螺絲 Srew-----	3
27	8MP06401211A	螺絲 Srew-----	2
28	231A0001928	鬆線組 Thread Tension Mechanism (Red)-----	3
29	8MM04281207A	螺絲 Srew-----	1
30	2310000341	連桿 Link-----	1
31	2310000342	曲柄 Lever-----	1
32	2310000343	螺樁 Stud-----	1
33	2310000344	螺樁 Stud-----	1
34	8MK95301407A	螺絲 Srew-----	1
35	231A0001935	鬆線組 Thread Tension Mechanism -----	1
36	66441-1	貼紙 Paster-----	1

18. GAUGE PARTS



23-A PRESS FOOT

MODEL	NEEDLE DISTANCE	PARTS NO.
4504	3/4"	5231PF0401A
	1"	5231PF0403A
	1-1/8"	5231PF0405A
	1-1/4"	5231PF0406A
	1-1/2"	5231PF0408A
	1/4-3/4-1/4	5231PF0411A
	3/16-3/4-3/16	5231PF0412A
4506	1/4-1-1/4	5231PF0413A
	3/16-1-3/16	5231PF0414A
	1/4-1/2-1/4	5231PF0415A
4509	1/4"	5231PF0601A
	3/8"	5231PF0602A
	1/3"	5231PF0603A
4512	1/4"	5231PF0901A
	3/16"	5231PF1201A
	1/4"	5231PF1202A
4513	5mm	5231PF1203A
	1/4"	5231PF1301A
4517	MULTI-NEEDLE DISTANCE	5231PF1302A
	1/8"	5231PF1701A
4523	1/8"	5231PF2301A
	1/4"	



24-A PRESS FOOT

MODEL	NEEDLE DISTANCE	PARTS NO.
4504	3/4"	5231PF0402A
	1"	5231PF0404A
	1-1/8"	5231PF0410A
	1-1/4"	5231PF0407A
	1-1/2"	5231PF0409A

24-B PRESS FOOT

MODEL	NEEDLE DISTANCE	PARTS NO.
4504	3/4"	5231PF0402B
	1"	5231PF0404B
	1-1/8"	5231PF0410B
	1-1/4"	5231PF0407B
	1-1/2"	5231PF0409B

3 NEEDLE REQ.

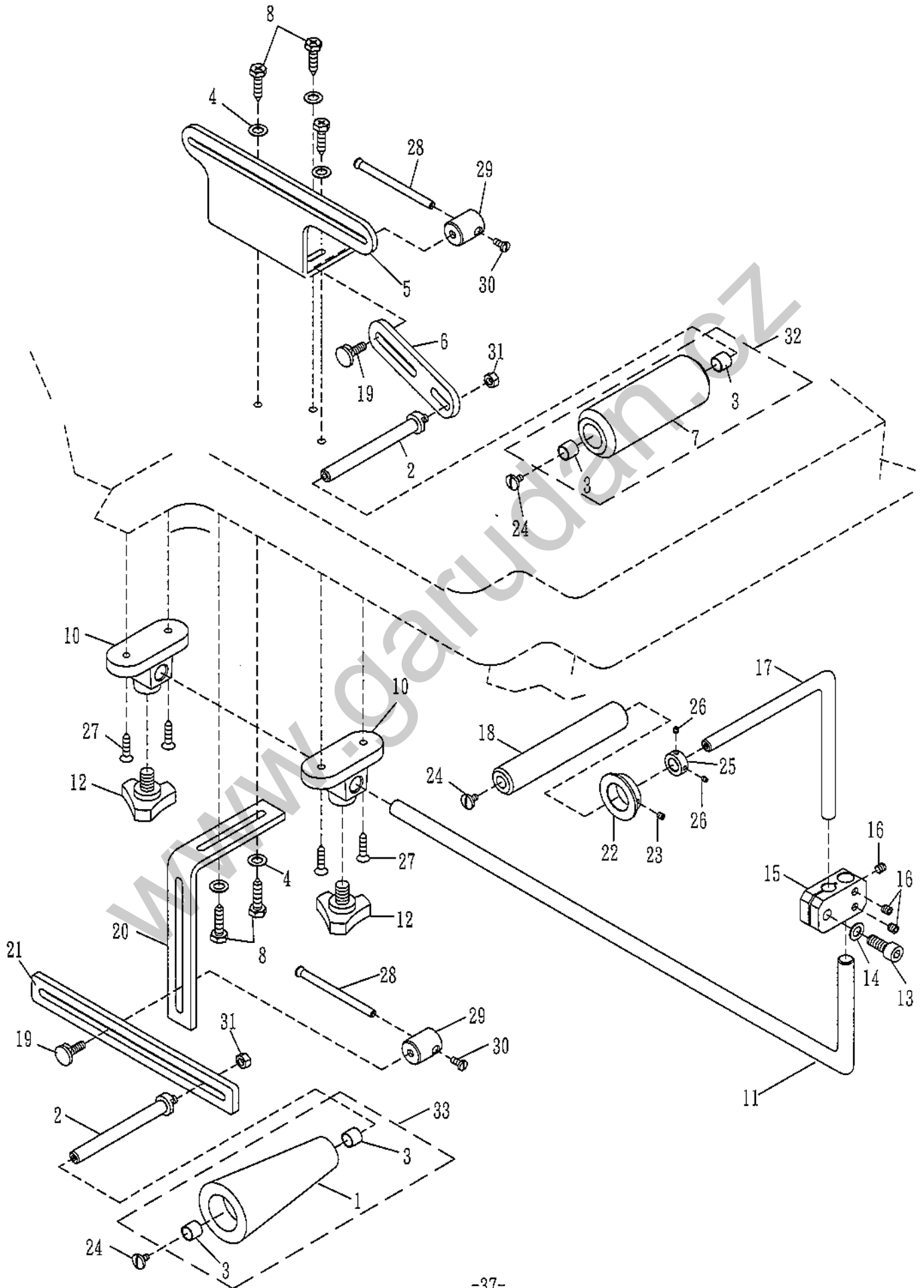
MODEL NO.	Q' TY	MODEL NO.	Q' TY
4504	4	4509	9
4506	6	4512	12
4513	13	4517	17
4523	23		

18. Gauge Parts

序號 Ref.No.	物料編號 Parts No.	名稱 Description	單位用量 Amt. Req.
1	-----	針留 Needle Clamp -----	1
2	-----	導線 Thread Guide -----	1
3	66729-12	針 UO113#12 Needle -----	-
4	-----	針板 Needle Plate -----	1
5	-----	狗齒 Feed Dog -----	1
6	-----	結線鉤 Retainer Lopper -----	-
7	2310001807	承座 Bracker -----	-
8	-----	結線鉤座 Looper Holder -----	1
9	-----	結線鉤座 Looper Holder -----	1
10	5231UL0001	結線鉤 Looper -----	-
11	-----	撥線桿 Retainer Holder -----	1
12	8MN04280500C	螺絲 Screw (FT1222 M4-0.7*5) -----	1
13	8MN03200300A	螺絲 Screw (CT0115 M3-0.5*3) -----	-
14	8MN04280400A	螺絲 Screw (CT0229 M4-0.7*4) -----	1
15	8MP03200606A	螺絲 Screw (MT0142 M3-0.5*6) -----	2
16	8SE36400806A	螺絲 Screw (SH0530 9/64"-40*8) -----	4
17	8SC44400909S	螺絲 Screw (MT1817 11/64"-40*6) -----	1
18	8SB32440605A	螺絲 Screw (MT1332 1/8"-44*6) -----	-
19	8SC36400705K	螺絲 Screw (MT1819 9/64"-40*7) -----	-
20	8SB36401205K	螺絲 Screw (MT1820 9/64"-40*12) -----	-
21	5231NG0001	導針器 Needle Guide -----	-
22	5231NG0002	導針器 Needle Guide -----	-
23	-----	壓腳 Presser Foot -----	1
23-A	-----	壓腳底 Presser Foot Guide (See Left Page) -----	-
23-B	5231PF0401B	壓腳連桿 Presser Foot Link -----	1
23-C	5231PF0401C	壓腳柄 Presser Foot Arm -----	1
23-D	5231PF0401D	壓縮彈簧 Spring -----	1
23-E	5231PF0401E	固定銷 Pin -----	-
23-F	8MB04281007K	螺絲 Screw (CT1237 M4-0.7*10) -----	-
23-G	8MN04281000A	螺絲 Screw (CT0216 M4-0.7*10) -----	2
23-H	8MA04280307A	螺帽 Nut (CT0238 M4-0.7*3) -----	2
24	-----	壓腳 Presser Foot -----	1
24-A	-----	壓腳底(右) Presser Foot Guide (Right) (See Left Page) -----	-
24-B	-----	壓腳底(左) Presser Foot Guide (Left) (See Left Page) -----	-
24-C	5231PF0404C	壓腳座 Presser Foot Bracket -----	1
24-D	5231PF0404D	檔片 Plate -----	1
24-E	5231PF0404E	連桿 Link -----	1
24-F	5231PF0404F	滑塊 Bracket -----	2
24-G	5231PF0404G	銷 Pin -----	2
24-H	5231PF0404H	護指環 Safety Plate Holder -----	2
24-I	5231PF0404I	螺絲 Screw (M4.5-0.75*4) -----	1
24-J	8MB85240607K	螺絲 Screw (CT0637 M3.5-0.6*6) -----	4
25	8MB95301107A	螺絲 Screw (CT0706 M4.5-0.75*12) -----	1
26	8MB85240406K	螺絲 Screw (PMD010166 M3.5-0.6*4) -----	1
27	8MB03200304M	螺絲 Screw (MT1827 M3-0.5*3) -----	2
28	2310001828	結線鉤座 Looper Holder -----	1
29	8SN36400400E	螺絲 Screw (SH0222 9/64"-40*4) -----	-
*30	8MC75180803E	螺絲 Screw (MT1830 M2.5-0.45*8) -----	-
*31	8MH75180300A	螺絲 Screw (MT1831 M2.5-0.45*3) -----	-

*For '4513- 4523 Use.

19. TR-2 Fabric Tension Controlling Device (.4504)

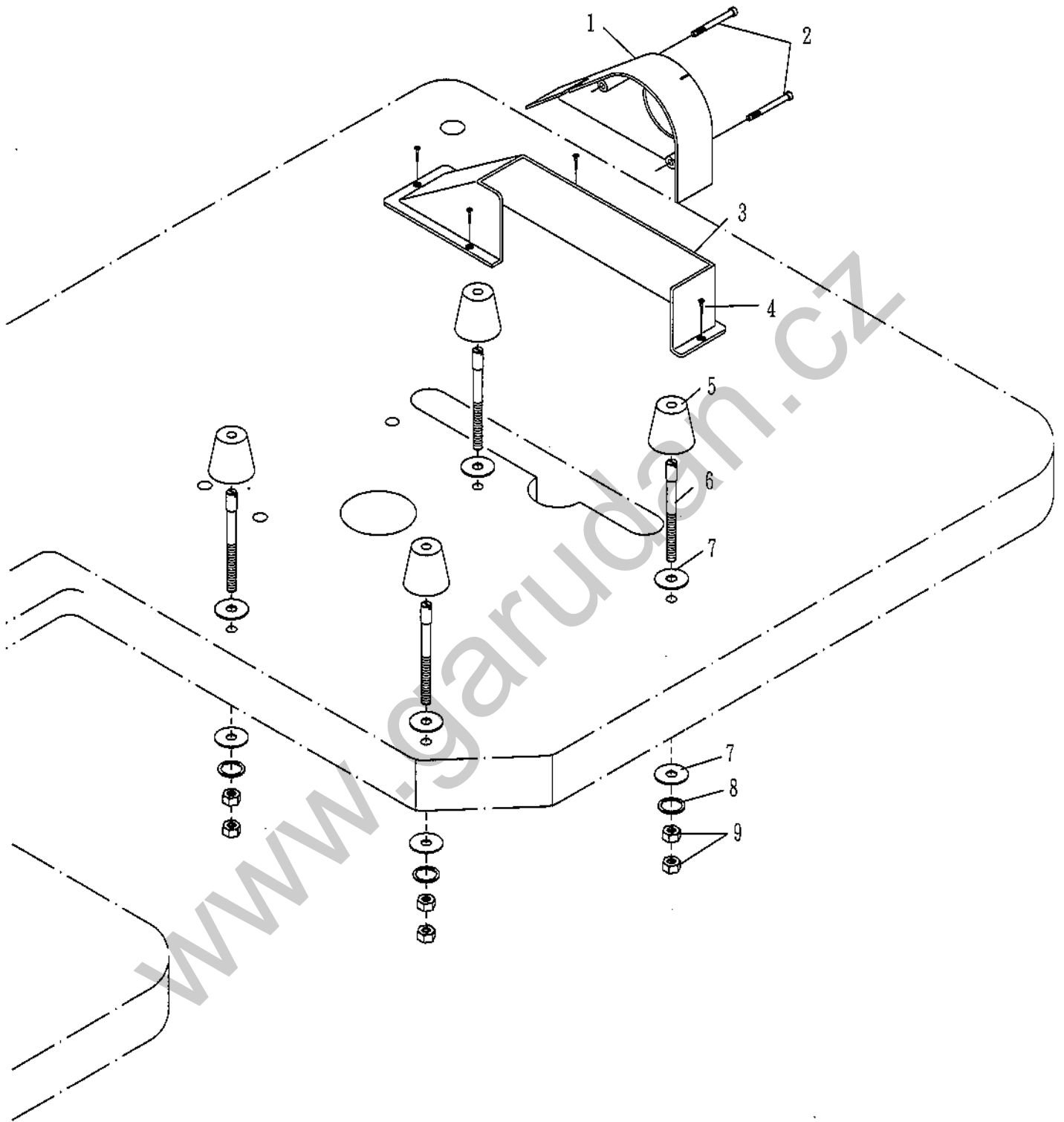


19. TR-2 擴張滾輪組零件列表 Part List For Roller Set (CL4504)

序號 Ref.No.	物料編號 Parts No.	名稱 Description	單位用量 Amt. Req.
①	4TR0020101	滾輪 Roller (CL450432)-----	1
2	4TR0020102	軸 Shaft (CL450433)-----	2
③	4TR0020103	軸襯 Lower Roller Bushing (CL450434)-----	4
4	2200000910	墊圈 Washer (CT0910)-----	5
5	4TR0020105	滾輪座 Roller Seat (CL450436)-----	1
6	4TR0020106	滾輪臂 Roller Holder Arm (CL450437)-----	1
⑦	4TR0020107	滾輪 Roller (CL450438)-----	1
8	8WK45002900C	木螺絲 Wood Screw (CL450408)-----	9
9	-----	-----	-
10	4TR0020110	支架座 Holder Bracket Seat (CL450410)-----	2
11	4TR0020111	支架 Holder Bracket (CL450411)-----	1
12	4TR0020112	螺栓 Knob Bolt (CL450412)-----	2
13	8MM08502013A	螺絲 Screw (CT0106 M8-1.25*20)-----	1
14	2210000533	墊圈 Washer (F0533)-----	1
15	4TR0020115	連接塊 Connecting Block (CL450415)-----	1
16	8MN06400600A	螺絲 Screw (CT0244 M6-1*6)-----	3
17	4TR0020117	支架 Holder Bracket (CL450417)-----	1
18	4TR0020118	滾輪 Roller (CL450418)-----	1
19	4TR0020119	螺樁 Stud (CL450419)-----	2
20	4TR0020120	滾輪臂 Roller Holder Arm (CL450420)-----	1
21	4TR0020121	滾輪臂 Roller Holder Arm (CL450421)-----	1
22	4TR0020122	鬆緊帶導模 Elastic Tape Guide (CL450422)-----	1
23	8SN44400400E	螺絲 Screw (SH0104 11/64"-40*4)-----	1
24	8SC44400812A	螺絲 Screw (CL450424 11/64"-40*8)-----	3
25	4TR0020125	定位環 Collar (CL450425)-----	1
26	8MH85240500A	螺絲 Screw (CT0923 M3.5-0.6*5)-----	2
27	8WE37002400A	木螺絲 Wood Screw (CL450427)-----	4
28	4TR0020128	柄 Handle (CL450428)-----	2
29	4TR0020129	止動塊 Tension Roller Slider Stop (CL450429)-----	2
30	8SC44401008A	螺絲 Screw (SH1225 11/64"-40*10)-----	2
31	8MA06400510A	螺帽 Nut (CT0533 M6-1*5)-----	2
32	4TR002A0132	滾輪 Roller-----	1
33	4TR002A0133	滾輪 Roller-----	1

① 需整組購買 Must be sold in complete set

20. SUPPORTING BOARD

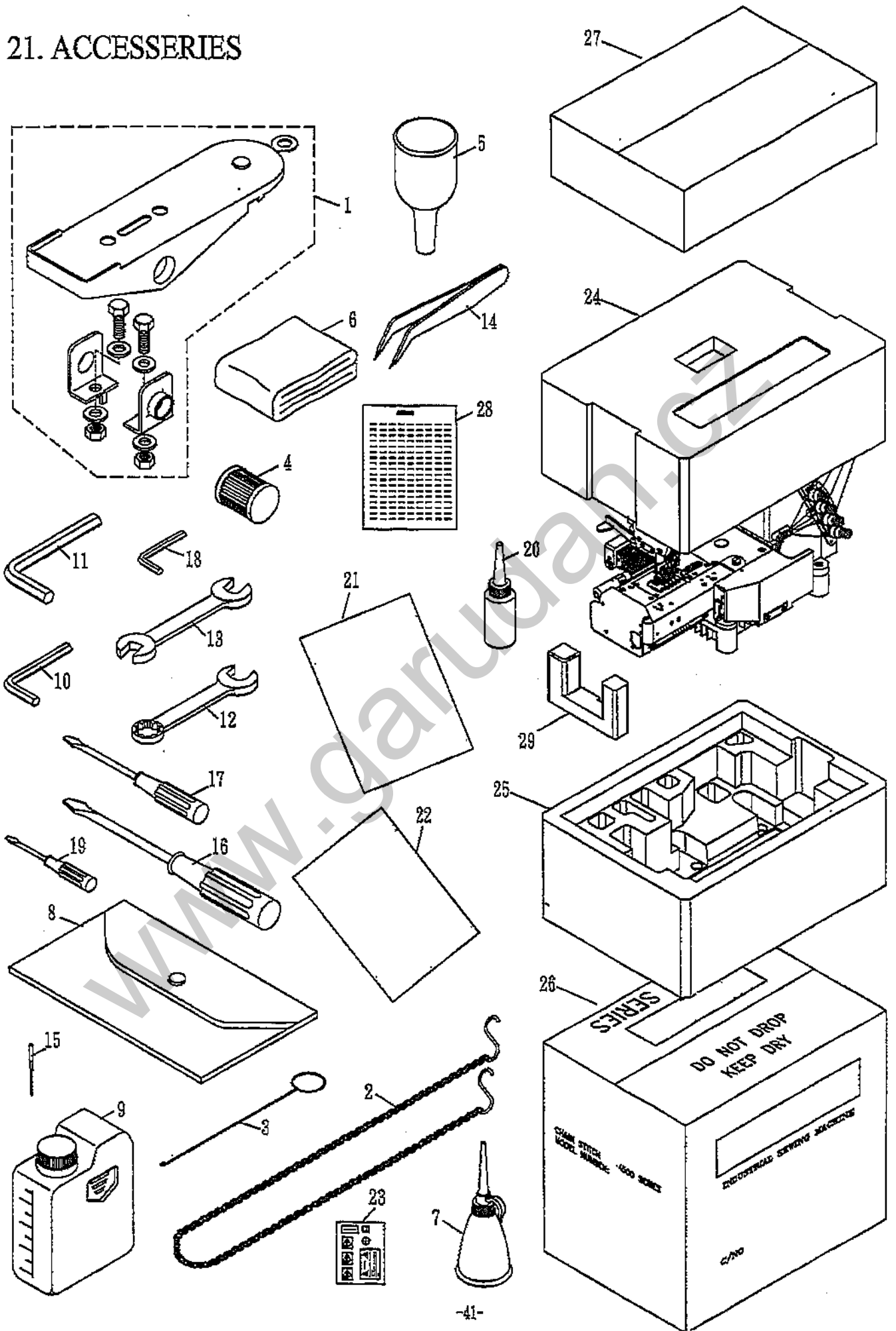


20. 裝載附件 Supporting Board

序號 Ref.No.	物料編號 Parts No.	名稱 Description *	單位用量 Amt. Req.
1	2310002001	皮帶蓋 Belt Cover -----	1
2	8MB06405609S	螺絲 Screw (M6-1*56) (MT2002) -----	2
3	2310002003	皮帶蓋 Belt Cover -----	1
4	8WF03131706A	木螺絲 Screw (CT1516) -----	4
5	66945	減震橡膠 Rubber Cushion -----	4
6	8MB06406507B	螺樁 Bolt (CT1507 M6-1*65) -----	4
7	2200001504	墊圈 Washer (CT1504) -----	8
8	90SW070	彈簧墊圈 Spring Washer (CT1505) -----	4
9	8MA06400510A	螺帽 Nut (CT0533 M6-1*5) -----	8

www.garudan.com

21. ACCESSORIES



21.工具及附件 Accessories

序號 Ref.No.	物料編號 Parts No.	名稱 Description	單位用量 Amt. Req.
1	66700	踏板組 Pedel Complete -----	1
2	66695	鍊條組 Chain Set -----	1
3	66840	穿線鋼絲 Threading Bar -----	1
4	2100001521	過濾器 Oil Filter (SH1521)-----	1
5	66720	漏斗 Oil Funnel -----	1
6	66846	防塵罩 Mechine Cover -----	1
7	66721	油壺 Oiler -----	1
8	66831	工具袋 Bag (AM-6751)-----	1
9	66715	油罐 Oil Container -----	1
10	66636	六角扳手 Spanner 3MM -----	1
11	66637	六角扳手 Spanner 4MM -----	1
12	66612	梅花扳手 Wrench 10MM -----	1
13	66613	開口扳手 Wrench 7/8MM -----	1
14	66690	鑷子 Tweezer -----	1
15	66729-12	備用針 UO113#12 Retainer Needle -----	5
16	66665	長起子 Screw Driver (Large) -----	1
17	66666	中起子 Screw Driver (Medium) -----	1
18	66639	六角扳手 Spanner 1.5MM (UTB0439) -----	1
19	66667	小起子 Screw Driver (Small) -----	1
20	66722	矽油 Silicon Oil -----	1
21	MT6306-1-03-05	零件冊 Parts List -----	1
22	MT62E6-1-03-05	使用說明書 Instruction Manual -----	1
23	66452	貼紙 Paster -----	1
24	66746-1	保利龍 Styroform -----	1
25	66746-2	保利龍 Styroform -----	1
26	66411	紙箱 Carton -----	1
27	66411-1	附件盒紙箱 Carton -----	1
28	66200	保質保證書 Guarautee -----	1
29	66746-3	保利龍 Styroform -----	1

22. GAUGE PARTS LIST

機型 MODEL	針距 GAUGE SIZE (INCH)	針留 NEEDLE HOLDER	導針 THREAD EYELET	壓腳組 PRESSER FOOT ASM.	針板 NEEDLE PLATE	送布齒 FEED DOG	結線鉤座 LOOPER HOLDER	撥線桿 RETAINER BAR	導針器 NEEDLE GUARD	結線鉤 RETAINER LOOPER	結線鉤 LOOPER
4501		5231NC0024		5231PF0101	5231TP0023	5231FD0023	2310001828	2310002241			
	3/4	5231NC0001		5231PF0401	5231TP0001	5231FD0001	2310002221	2310002241			
		5231PF0402		5231TP0002	5231FD0002	2310002222	2310002242				
	1	5231NC0002	2310002201	5231PF0403	5231TP0003	5231FD0003	2310002223	2310002243			
		5231PF0404		5231TP0004	5231FD0004	2310002224	2310002244				
	1-1/8	5231NC0003		5231PF0405	5231TP0005	5231FD0005	2310002225	2310002245			
		5231PF0410		5231TP0000	5231FD0000	2310002227	2310002247				
	1-1/4	5231NC0004	2310002202	5231PF0406	5231TP0004	5231FD0004	2310002234	2310002253			
		5231PF0407		5231TP0005	5231FD0005	2310002230	2310002250				
	1-1/2	5231NC0005		5231PF0408	5231TP0005	5231FD0005	2310002234	2310002253			
		5231PF0409		5231TP0013	5231FD0013	2310002230	2310002250				
	1/4-3/4-1/4	5231NC0007	2310002204	5231PF0411	5231TP0013	5231FD0013	2310002230	2310002250			
3/16-3/4-3/16	5231NC0022	2310002202	5231PF0412	5231TP0014	5231FD0014	2310002234	2310002253				
1/4-1-1/4	5231NC0010	2310002205	5231PF0413	5231TP0015	5231FD0015	2310002230	2310002250				
3/16-1-3/16	5231NC0023	2310002203	5231PF0414	5231TP0016	5231FD0016	2310002234	2310002253				
1/4-1/2-1/4	5231NC0010	2310002205	5231PF0415	5231TP0017	5231FD0017	2310002230	2310002250				
1/4	5231NC0009	2310002202	5231PF0601	5231TP0009	5231FD0009	2310002229	2310002249				
4506									5231NG0001	5231UL0001	5231LL0001

22. GAUGE PARTS LIST

機型 MODEL	針距 GAUGE SIZE (INCH)	針留 NEEDLE HOLDER	導針 THREAD EYELET	壓腳組 PRESSER FOOT ASM.	針板 NEEDLE PLATE	送布齒 FEED DOG	結線鉤座 LOOPER HOLDER	撥線桿 RETAINER BAR	導針器 NEEDLE GUARD	結線鉤 RETAINER LOOPER	結線鉤 LOOPER
4506	3/8	5231NC0020	2310002205	5231PF0602	5231TP0021	5231FD0021	2310002240	2310002260			
	1/3	5231NC0021	2310002203	5231PF0603	5231TP0022	5231FD0022	2310002233	2310002261	5231NG0001		
	1/4	5231NC0010	2310002205	5231PF0901	5231TP0010	5231FD0010	2310002230	2310002250			
4512	3/16	5231NC0006	2310002203	5231PF1201	5231TP0006	5231FD0006	2310002226	2310002246	5231NG0002	5231UL0001	5231LL0001
	1/4	5231NC0007	2310002204	5231PF1202	5231TP0007	5231FD0007	2310002227	2310002247	5231NG0001		
	5mm	5231NC0008	2310002203	5231PF1203	5231TP0008	5231FD0008	2310002228	2310002248	5231NG0002		
4513	1/4	5231NC0011	2310002206	5231PF1301	5231TP0011	5231FD0011	2310002231	2310002251	5231NG0001		
	MULTI-NEEDLE DISTANCE	5231NC0012	2310002207	5231PF1302	5231TP0012	5231FD0012	2310002232	2310002252	5231NG0002		5231LL0002
4517	1/8	5231NC0019	2310002209	5231PF1701	5231TP0020	5231FD0020	2310002239	2310002259	5231NG0002		
4523	1/8	5231NC0018	2310002208	5231PF2301	5231TP0019	5231FD0019	2310002238	2310002258	5231NG0002	5231UL0002	5231LL0003
					5231TP0018	5231FD0018					

INDEX

物料編號 Parts No.	組 Group	序號 Ref.No.	單位用量 Amt. Req.	物料編號 Parts No.	組 Group	序號 Ref.No.	單位用量 Amt. Req.	物料編號 Parts No.	組 Group	序號 Ref.No.	單位用量 Amt. Req.
2100000244	1	28	1	2200001029	6	29	1	2310000213	2	13	1
2100000323	10	24	2	2200001029	7	42	2	2310000214	2	14	1
2100000640	3	7	2	2200001029	8	35	2	2310000215	2	15	1
2100000640	4	10	2	2200001029	9	35	2	2310000217	2	17	2
2100001121	3	15	4	2200001044	6	13	2	2310000219	2	19	1
2100001121	3	35	4	2200001044	9	38	1	2310000225	2	25	2
2100001121	17	14	12	2200001311	11	15	1	2310000231	2	31	1
2100001121	17	24	12	2200001313	11	16	1	2310000232	2	32	1
2100001123	3	17	4	2200001315	11	18	1	2310000245	2	45	1
2100001123	17	16	12	2200001316	11	27	1	2310000246	2	46	1
2100001126	3	20	16	2200001317	11	28	1	2310000247	2	47	1
2100001126	17	19	48	2200001327	11	21	1	2310000249	2	49	1
2100001127	3	19	8	2200001328	11	25	1	2310000252	2	52	1
2100001127	17	18	24	2200001332	11	26	1	2310000301	3	1	1
2100001132	17	25	12	2200001334	11	20	1	2310000302	3	2	1
2100001501	7	43	1	2200001338	11	43	1	2310000302	4	1	1
2100001505	11	37	1	2200001504	20	7	8	2310000303	3	3	1
2100001507	1	32	1	2210000119	2	36	2	2310000304	3	4	2
2100001521	11	17	1	2210000238	2	43	2	2310000305	3	5	2
2100001521	21	4	1	2210000533	19	14	1	2310000306	3	6	1
2100001533	11	23	3	2310000101	1	1	1	2310000308	3	8	1
2100001534	11	24	9	2310000102	1	2	3	2310000309	3	9	2
2100001535	11	22	4	2310000103	1	3	1	2310000310	3	10	1
2100001536	11	19	8	2310000104	1	4	1	2310000311	3	11	1
2100041131	3	23	4	2310000105	1	5	1	2310000312	3	12	1
2200000105	1	17	1	2310000106	1	6	1	2310000313	3	13	1
2200000109	2	16	2	2310000107	1	7	1	2310000314	3	14	1
2200000121	2	21	2	2310000108	1	8	2	2310000333	3	33	1
2200000128	1	29	1	2310000109	1	9	4	2310000337	3	37	1
2200000129	1	30	1	2310000110	1	10	1	2310000338	3	38	1
2200000224	2	37	1	2310000111	1	11	1	2310000339	3	39	1
2200000228	2	39	2	2310000112	1	12	1	2310000341	3	41	1
2200000232	2	23	3	2310000113	1	13	1	2310000341	17	30	1
2200000232	3	26	3	2310000114	1	14	1	2310000342	3	42	1
2200000232	4	11	3	2310000115	1	15	1	2310000342	17	31	1
2200000245	2	18	1	2310000116	1	16	3	2310000343	3	43	1
2200000245	6	12	1	2310000116	2	20	1	2310000343	17	32	1
2200000245	12	20	1	2310000133	1	33	1	2310000344	3	44	1
2200000303	3	16	8	2310000134	1	34	1	2310000344	17	33	1
2200000303	17	15	24	2310000135	1	35	1	2310000402	4	2	1
2200000305	3	18	8	2310000136	1	36	1	2310000403	4	3	1
2200000305	17	17	24	2310000137	1	37	1	2310000404	4	4	1
2200000308	3	21	8	2310000138	1	38	1	2310000405	4	5	2
2200000308	17	20	24	2310000139	1	39	1	2310000406	4	6	1
2200000309	3	22	8	2310000144	1	44	1	2310000407	4	7	2
2200000309	17	21	24	2310000202	2	2	1	2310000417	4	17	1
2200000311	3	24	8	2310000203	2	3	1	2310000502	5	2	2
2200000312	3	25	8	2310000204	2	4	1	2310000503	5	3	1
2200000404	5	1	1	2310000205	2	5	1	2310000504	5	4	1
2200000550	11	42	1	2310000206	2	6	1	2310000505	5	5	2
2200000704	3	36	1	2310000207	2	7	1	2310000506	5	6	2
2200000704	4	18	1	2310000208	2	8	1	2310000507	5	7	1
2200000811	10	23	1	2310000209	2	9	1	2310000508	5	8	1
2200000910	12	27	1	2310000210	2	10	1	2310000509	5	9	2
2200000910	19	4	5	2310000211	2	11	1	2310000510	5	10	1
2200001025	8	30	1	2310000212	2	12	1	2310000511	5	11	1

INDEX

物料編號 Parts No.	組 Group	序號 Ref.No.	單位用量 Amt. Req.	物料編號 Parts No.	組 Group	序號 Ref.No.	單位用量 Amt. Req.	物料編號 Parts No.	組 Group	序號 Ref.No.	單位用量 Amt. Req.
2310000512	5	12	1	2310000809	8	9	1	2310001007	10	7	1
2310000513	5	13	2	2310000810	8	10	1	2310001008	10	8	1
2310000514	5	14	1	2310000811	8	11	1	2310001009	10	9	1
2310000515	5	15	1	2310000812	8	12	1	2310001010	10	10	1
2310000516	5	16	1	2310000813	8	13	2	2310001011	10	11	1
2310000517	5	17	1	2310000814	8	14	2	2310001012	10	12	1
2310000518	5	18	1	2310000815	8	15	1	2310001013	10	13	1
2310000519	5	19	1	2310000816	8	16	1	2310001014	10	14	1
2310000601	6	1	1	2310000817	8	17	1	2310001015	10	15	1
2310000602	6	2	1	2310000818	8	18	1	2310001016	10	16	1
2310000603	6	3	1	2310000819	8	19	1	2310001017	10	17	1
2310000604	6	4	1	2310000820	8	20	1	2310001018	10	18	1
2310000605	6	5	1	2310000821	8	21	1	2310001019	10	19	1
2310000606	6	6	1	2310000822	8	22	1	2310001021	10	21	2
2310000607	6	7	2	2310000823	8	23	1	2310001101	11	1	1
2310000608	6	8	1	2310000824	8	24	1	2310001102	11	2	1
2310000609	6	9	2	2310000825	8	25	1	2310001103	11	3	1
2310000610	6	10	2	2310000826	8	26	1	2310001104	11	4	1
2310000611	6	11	1	2310000833	8	33	1	2310001105	11	5	1
2310000618	6	18	1	2310000902	9	2	2	2310001106	11	6	1
2310000619	6	19	1	2310000903	9	3	1	2310001107	11	7	2
2310000620	6	20	1	2310000904	9	4	2	2310001108	11	8	1
2310000624	6	24	1	2310000905	9	5	1	2310001109	11	9	1
2310000625	6	25	1	2310000906	9	6	1	2310001110	11	10	1
2310000626	6	26	1	2310000907	9	7	1	2310001111	11	11	1
2310000701	7	1	1	2310000908	9	8	1	2310001112	11	12	1
2310000702	7	2	1	2310000908	10	22	1	2310001113	11	13	1
2310000703	7	3	1	2310000909	9	9	1	2310001114	11	14	1
2310000705	7	5	1	2310000910	9	10	1	2310001140	11	40	1
2310000706	7	6	1	2310000911	9	11	1	2310001141	11	41	1
2310000707	7	7	1	2310000912	9	12	1	2310001147	11	47	1
2310000708	7	8	1	2310000913	9	13	1	2310001148	11	48	1
2310000709	7	9	1	2310000914	9	14	1	2310001201	12	1	1
2310000710	7	10	1	2310000915	9	15	1	2310001202	12	2	1
2310000711	7	11	1	2310000916	9	16	1	2310001203	12	3	1
2310000712	7	12	1	2310000918	9	18	1	2310001204	12	4	1
2310000713	7	13	1	2310000919	9	19	1	2310001205	12	5	1
2310000714	7	14	1	2310000920	9	20	2	2310001206	12	6	1
2310000715	7	15	1	2310000921	9	21	1	2310001207	12	7	1
2310000716	7	16	1	2310000922	9	22	1	2310001207	10	33	1
2310000717	7	17	1	2310000923	9	23	1	2310001208	12	8	1
2310000718	7	18	1	2310000924	9	24	1	2310001209	12	9	1
2310000718	12	11	1	2310000925	9	25	1	2310001210	12	10	1
2310000719	7	19	1	2310000926	9	26	1	2310001213	12	13	1
2310000719	12	12	1	2310000927	9	27	1	2310001214	12	14	1
2310000722	7	22	1	2310000928	9	28	1	2310001215	12	15	1
23100007041	7	4	1	2310000929	9	29	1	2310001216	12	16	1
2310000801	8	1	1	2310000930	9	30	1	2310001217	12	17	1
2310000802	8	2	1	2310000948	9	48	2	2310001218	12	18	1
2310000803	8	3	1	2310000949	9	49	1	2310001219	12	19	1
2310000804	8	4	1	2310001001	10	1	1	2310001221	12	21	1
2310000805	8	5	1	2310001002	10	2	1	2310001222	12	22	1
2310000805	9	32	2	2310001003	10	3	1	2310001242	12	42	1
2310000806	8	6	1	2310001004	10	4	1	2310001301	13	1	1
2310000807	8	7	1	2310001005	10	5	1	2310001301	14	1	1
2310000808	8	8	1	2310001006	10	6	1	2310001302	13	2	1

INDEX

物料編號 Parts No.	組 Group	序號 Ref.No.	單位用量 Amt. Req.	物料編號 Parts No.	組 Group	序號 Ref.No.	單位用量 Amt. Req.	物料編號 Parts No.	組 Group	序號 Ref.No.	單位用量 Amt. Req.
2310001302	14	2	1	2310001436	14	36	1	231A0001346	14	45	1
2310001303	13	3	1	2310001437	14	37	2	231A0001347	13	47	1
2310001303	14	3	1	2310001440	14	40	1	231A0001348	13	48	1
23100013041	13	4	2	2310001441	14	41	1	231A0001349	13	49	1
23100013041	14	4	2	2310001442	14	42	1	231A0001350	13	50	1
2310001305	13	5	1	2310001443	14	43	1	231A0001357	13	57	1
2310001305	14	5	1	2310001454	14	54	1	231A0001357	14	56	1
2310001306	13	6	1	2310001807	18	7	*	231A0001358	13	58	1
2310001306	14	6	1	2310001828	18	28	1	231A0001359	13	59	1
2310001307	13	7	1	2310001901	17	1	1	231A0001360	13	60	1
2310001307	14	7	1	2310001902	17	2	1	231A0001361	13	61	1
2310001308	13	8	1	2310001903	17	3	3	231A0001363	13	63	1
2310001308	14	8	1	2310001904	17	4	3	231A0001438	14	38	1
2310001309	13	9	2	2310001905	17	5	1	231A0001439	14	39	1
2310001309	14	9	2	2310001906	17	6	3	231A0001446	14	46	1
2310001310	13	10	1	2310001907	17	7	1	231A0001447	14	47	1
2310001310	14	10	1	2310001908	17	8	2	231A0001448	14	48	1
2310001311	13	11	1	2310001909	17	9	2	231A0001449	14	49	1
2310001311	14	11	1	2310001910	17	10	1	231A0001457	14	57	1
2310001312	13	12	1	2310001911	17	11	1	231A0001458	14	58	1
2310001312	14	12	1	2310001912	17	12	3	231A0001459	14	59	1
2310001313	13	13	1	2310001913	17	13	3	231A0001460	14	60	1
2310001313	14	13	1	2310002001	20	1	1	231A0001922	17	22	12
2310001314	13	14	1	2310002003	20	3	1	231A0001923	17	23	12
2310001314	14	14	1	231A0000145	1	45	1	231A0001928	17	28	3
2310001315	13	15	1	231A0000146	1	46	1	231A0001935	17	35	1
2310001315	14	15	1	231A0000201	2	1	1	4TR0020101	19	1	1
2310001316	13	16	1	231A0000251	2	51	1	4TR0020102	19	2	2
2310001317	13	17	1	231A0000346	3	46	1	4TR0020103	19	3	4
2310001318	13	18	1	231A0000630	6	30	1	4TR0020105	19	5	1
2310001319	13	19	1	231A0000733	7	33	1	4TR0020106	19	6	1
2310001320	13	20	1	231A0000734	7	34	1	4TR0020107	19	7	1
2310001321	13	21	1	231A0000735	7	35	1	4TR0020110	19	10	2
2310001322	13	22	1	231A0000736	7	36	1	4TR0020111	19	11	1
2310001323	13	23	2	231A0000737	7	37	1	4TR0020112	19	12	2
2310001323	14	23	2	231A0000738	7	38	1	4TR0020115	19	15	1
2310001336	13	36	2	231A0000739	7	39	1	4TR0020117	19	17	1
2310001337	13	37	2	231A0000740	7	40	1	4TR0020118	19	18	1
2310001338	13	38	1	231A0000848	8	48	1	4TR0020119	19	19	2
2310001339	13	39	1	231A0000849	8	49	1	4TR0020120	19	20	1
2310001340	13	40	1	231A0000850	8	50	1	4TR0020121	19	21	1
2310001341	13	41	1	231A0000947	9	47	2	4TR0020122	19	22	1
2310001342	13	42	1	231A0000950	9	50	1	4TR0020125	19	25	1
2310001351	13	51	1	231A0000951	9	51	1	4TR0020128	19	28	2
2310001351	14	50	1	231A0000953	9	53	1	4TR0020129	19	29	2
2310001352	13	52	2	231A0001139	11	39	1	4TR002A0132	19	32	1
2310001352	14	51	1	231A0001146	11	46	1	4TR002A0133	19	33	1
2310001355	13	55	1	231A0001149	11	49	1	5231NG0001	18	21	*
2310001362	13	62	1	231A0001150	11	50	1	5231NG0002	18	22	*
2310001416	14	16	1	231A0001238	12	38	1	5231PF0401B	18	23-B	1
2310001417	14	17	1	231A0001239	12	39	1	5231PF0401C	18	23-C	1
2310001418	14	18	1	231A0001240	12	40	2	5231PF0401D	18	23-D	1
2310001419	14	19	1	231A0001243	12	43	1	5231PF0401E	18	23-E	*
2310001420	14	20	1	231A0001343	13	43	1	5231PF0404C	18	24-C	1
2310001421	14	21	1	231A0001344	13	44	1	5231PF0404D	18	24-D	1
2310001422	14	22	1	231A0001345	13	45	1	5231PF0404E	18	24-E	1

INDEX

物料編號 Parts No.	組 Group	序號 Ref.No.	單位用量 Amt. Req.	物料編號 Parts No.	組 Group	序號 Ref.No.	單位用量 Amt. Req.	物料編號 Parts No.	組 Group	序號 Ref.No.	單位用量 Amt. Req.
5231PF0404F	18	24-F	2	6671033	15	33	2	8MB04280607K	2	33	2
5231PF0404G	18	24-G	2	6671034	15	34	2	8MB04280607K	13	53	2
5231UL0001	18	10	*	6671035	15	35	8	8MB04280607K	14	52	2
66200	21	28	1	6671036	15	36	8	8MB04280608A	6	21	4
66411	21	26	1	66711501	16	1	2	8MB04280608A	13	56	2
66411-1	21	27	1	66711502	16	2	*	8MB04280608A	14	55	2
66441-1	17	36	1	66711503	16	3	*	8MB04280608A	17	26	3
66451	1	43	1	66711504	16	4	*	8MB04280705M	2	40	1
66452	21	23	1	66711505	16	5	*	8MB04280807K	1	25	5
66477-1	1	18	1	66711506	16	6	*	8MB04280807K	3	34	1
66477-2	1	19	1	66711507	16	7	*	8MB04280807K	4	16	1
66477-3	1	47	1	66711508	16	8	*	8MB04281007K	2	30	4
66612	21	12	1	66711509	16	9	*	8MB04281007K	18	23-F	*
66613	21	13	1	66711510	16	10	*	8MB04283809E	2	38	1
66620	1	21	4	66711511	16	11	2	8MB06405609S	20	2	2
66636	21	10	1	66711512	16	12	2	8MB06406507B	20	6	4
66637	21	11	1	66711513	16	13	6	8MB08502816G	12	28	1
66639	21	18	1	66711514	16	14	2	8MB85240406K	18	26	1
66665	21	16	1	66711515	16	15	*	8MB85240607K	18	24-J	4
66666	21	17	1	66711516	16	16	*	8MB85240806K	3	29	1
66667	21	19	1	66711517	16	17	*	8MB85240806K	4	15	1
66690	21	14	1	66711518	16	18	*	8MB85241006K	13	45	2
66695	21	2	1	66711519	16	19	*	8MB85241006K	14	44	2
66700	21	1	1	66711520	16	20	*	8MB95301106K	7	27	1
667101	15	1	8	66711521	16	21	*	8MB95301107A	18	25	1
667102	15	2	8	66711522	16	22	*	8MB95301507K	7	26	2
667103	15	3	8	66711523	16	23	*	8MB95301507K	12	34	2
667104	15	4	8	66715	21	9	1	8MB95301807K	7	25	2
667105	15	5	2	66720	21	5	1	8MC04280807D	1	31	1
667106	15	6	6	66721	21	7	1	8MC04281207D	1	23	10
667107	15	7	6	66722	21	20	1	8MC04281407D	2	41	2
667108	15	8	6	66729-12	18	3	*	8MCO5321208A	3	32	2
667109	15	9	6	66729-12	21	15	5	8MCO6400810A	2	48	2
6671010	15	10	6	66746-1	21	24	1	8MC75180803E	18	30	*
6671011	15	11	12	66746-2	21	25	1	8MC95301608E	10	27	2
6671012	15	12	6	66746-3	21	29	1	8MD04281008C	2	29	1
6671013	15	13	1	66790	11	29	1	8MB04280708A	6	27	2
6671014	15	14	2	66792	11	44	1	8MH75180300A	18	31	*
6671015	15	15	2	66800	6	23	3	8MH85240500A	19	26	2
6671016	15	16	1	66800	7	41	2	8MCK05322710A	13	26	1
6671017	15	17	3	66800	8	34	4	8MCK05322710A	14	26	1
6671018	15	18	4	66800	9	31	3	8MCK95301407A	3	45	1
6671019	15	19	1	66802	9	52	2	8MCK95301407A	17	34	1
6671020	15	20	1	66831	21	8	1	8MM03200606A	11	36	3
6671021	15	21	1	66840	21	3	1	8MM03201606A	11	30	1
6671022	15	22	1	66845	21	6	1	8MM04280607A	11	34	7
6671023	15	23	1	66945	20	5	4	8MM04280807A	1	24	2
6671024	15	24	1	8MA03200306A	11	31	1	8MM04280807A	2	44	1
6671025	15	25	2	8MA04280307A	18	23-H	2	8MM04281007A	1	40	2
6671026	15	26	1	8MA06400510A	12	26	1	8MM04281007A	2	28	2
6671027	15	27	2	8MA06400510A	19	31	2	8MM04281007A	3	28	5
6671028	15	28	2	8MA06400510A	20	9	8	8MM04281007A	4	13	5
6671029	15	29	1	8MA08300613A	13	35	2	8MM04281007A	6	15	4
6671030	15	30	4	8MA08300613A	14	35	2	8MM04281007A	7	30	3
6671031	15	31	2	8MB03200304M	18	27	2	8MM04281007A	9	46	1
6671032	15	32	2	8MB03200405F	8	44	3	8MM04281007A	10	32	3

INDEX

物料編號 Parts No.	組 Group	序號 Ref.No.	單位用量 Amt. Req.	物料編號 Parts No.	組 Group	序號 Ref.No.	單位用量 Amt. Req.	物料編號 Parts No.	組 Group	序號 Ref.No.	單位用量 Amt. Req.
8MM04281007A	12	41	1	8MN06400600A	12	35	4	90NB182217	8	31	1
8MM04281007A	14	27	3	8MN06400600A	19	16	3	90NB202626	13	24	2
8MM04281207A	2	22	1	8MN06400800A	6	14	2	90NB202626	14	24	2
8MM04281207A	3	40	1	8MN06400800A	7	32	6	90NB252913	8	32	1
8MM04281207A	8	36	1	8MN06400800A	12	33	1	90NB252913	9	33	2
8MM04281207A	11	32	6	8MP03200606A	1	42	2	90COR050	8	29	1
8MM04281207A	17	29	1	8MP03200606A	18	15	2	90COR140	7	23	1
8MM04281407A	7	31	2	8MP04280808A	2	35	1	90PW030	1	41	2
8MM05321009A	2	27	4	8MP04280808A	3	27	2	90SCR140	7	24	1
8MM05321209A	10	29	1	8MP04280808A	4	12	2	90SCR250	9	34	2
8MM05321409A	9	45	2	8MP04281008A	2	50	1	90SCR280	12	24	1
8MM06401010A	6	17	2	8MP06401011A	2	34	1	90SP0310	11	38	1
8MM06401010A	9	42	1	8MP06401211A	3	30	2	90SW040	2	24	2
8MM06401010A	10	31	2	8MP06401211A	17	27	2	90SW040	9	36	1
8MM06401210A	11	35	2	8MQ04280808A	2	26	11	90SW070	20	8	4
8MM06401210A	13	28	1	8MQ04280808A	3	31	4	90SW070	9	37	1
8MM06401210A	14	28	1	8MQ04280808A	4	14	4	90SW080	1	20	4
8MM06401510A	8	45	1	8SA44400407A	12	37	1	MT62E6-1-03-05	21	22	1
8MM06401510A	9	40	1	8SA56320410A	10	26	1	MT6305-1-03-05	21	21	1
8MM06401510A	12	32	1	8SA64400409B	13	31	1				
8MM06401610A	6	22	1	8SA64400409B	14	31	1				
8MM06401610A	12	36	1	8SB32440605A	13	32	6				
8MM08502013A	19	13	1	8SB32440605A	14	32	6				
8MM08502013A	1	26	4	8SB32440605A	18	18	*				
8MM08503013A	1	22	4	8SB36401205K	19	20	*				
8MN03200300A	8	47	2	8SB44400305N	13	29	1				
8MN03200300A	18	13	*	8SB44400305N	14	29	1				
8MN03200400C	9	39	2	8SB44400306K	12	30	1				
8MN04280400A	2	42	3	8SB44401507G	12	31	1				
8MN04280400A	8	39	1	8SC36400705K	18	19	*				
8MN04280400A	18	14	1	8SC44400810G	10	30	2				
8MN04280500A	13	34	3	8SC44400810G	12	29	2				
8MN04280500A	14	34	3	8SC44400812A	19	24	3				
8MN04280500C	6	16	2	8SC44400909S	18	17	1				
8MN04280500C	8	41	1	8SC44401008A	19	30	2				
8MN04280500C	9	43	2	8SE36400806A	18	16	4				
8MN04280500C	18	12	1	8SF36400606A	13	33	3				
8MN04280600A	6	28	4	8SF36400606A	14	33	3				
8MN04280600A	13	30	1	8SK56322110A	10	20	1				
8MN04280600A	14	30	1	8SM95281017A	1	27	1				
8MN04281000A	8	38	1	8SN36400400E	18	29	*				
8MN04281000A	18	23-G	2	8SN44400400E	19	25	1				
8MN05320400A	9	44	4	8WE37002400A	19	27	4				
8MN05320400A	10	28	2	8WF03131706A	20	4	4				
8MN05320480A	11	45	1	8WK45002900C	19	8	9				
8MN05320500E	8	46	3	90BB1740122	7	21	1				
8MN05320600A	7	29	8	90BB1740126	7	20	1				
8MN05320600A	8	42	5	90ER040	8	28	1				
8MN05320600A	9	41	6	90ER040	10	25	2				
8MN05320600A	11	33	1	90ER050	9	17	1				
8MN05320600C	7	28	2	90ER070	13	25	1				
8MN05320600C	8	37	1	90ER070	14	25	1				
8MN05321000E	8	43	1	90ER080	9	1	1				
8MN05321000E	13	54	2	90ER090	12	25	1				
8MN05321000E	14	53	2	90ER100	8	27	1				
8MN06400600A	8	40	2	90ER100	12	23	1				